



34935 Flyover Ct. Bakersfield, CA 93308
Phone: (661) 588-8085 | Fax: (661) 588-8295

INSTALL INSTRUCTIONS:

**Camber-Adjustable Long Travel
Front Lower Control Arms for
2014+ Polaris RZR XP1000 and
2016+ XP Turbo**

SKU: 360-91061



PARTS LIST FOR SKU: 360-91061

QUANTITY	PART #	DESCRIPTION
1	80024	Assembled Arm, Driver
1	80025	Assembled Arm, Passenger
2	91128	Adjustable Rod-End Kit, Uniball

PARTS LIST FOR SKU: 80024

QUANTITY	PART #	DESCRIPTION
1	8804	Arm, Driver
1	HP9315	Bushings and Crush Sleeves

PARTS LIST FOR SKU: 80025

QUANTITY	PART #	DESCRIPTION
1	8805	Arm, Passenger
1	HP9315	Bushings and Crush Sleeves

WARNING

Please read this entire instruction sheet before beginning installation. Proper installation of these components requires a qualified mechanic. Always wear safety glasses when using power tools and take appropriate precautions when working under a vehicle. If these instructions are not properly followed you may jeopardize your and your passenger's safety. Failure to properly follow these instructions can also lead to severe frame, suspension, tire, or other vehicle component damage.

PARTS LIST FOR SKU: 91128

QUANTITY	PART #	DESCRIPTION
1	6297	WSSX14 Rod-End
1	91127	Uniball/Pin Assembly
1	HARDWARE-10743-03367	1.625" Internal Retaining Ring
1	HARDWARE-0161380	1/2-20 X1-1/4" 12 Point Flange Bolt
1	HARDWARE-33626	1/2" Lock Washer
2	SHIM-1.5X1.0X.025	.025" Thick Shim
2	SHIM-1.5X1X.012	.012" Thick Shim

PARTS LIST FOR SKU: 91127 (PRE-INSTALLED)

QUANTITY	PART #	DESCRIPTION
1	UNI-BALL-WSSX14T-F1	Control Arm Weldment, Driver
1	6299	Spindle Pin
1	6300	Spherical Washer
1	HARDWARE-0161339	3/8"-24 x 3/4" 12pt Bolt
1	HARDWARE-33622	3/8" Split-Lock Washer

INTRODUCTION

- OEM Polaris control arms are lightweight and suffice for light to moderate operation. Under more aggressive use, OEM bushings, ball joints, and even the arms themselves can fail. Cognito control arms use larger bushings, uni-ball spherical bearings, and hardened stainless steel spindle pins designed to handle abuse.
- The arms in this kit are 4" longer per side, offering extended travel over OEM suspension. These arms are also designed to allow for camber adjustment and include all necessary hardware to do so.

REQUIREMENTS

- Always wear safety glasses when using power tools.
- When a lift is required to perform the installation of these products and always ensure the vehicle is properly supported before attempting installation or serious injury may occur.

TECHNICAL INFORMATION

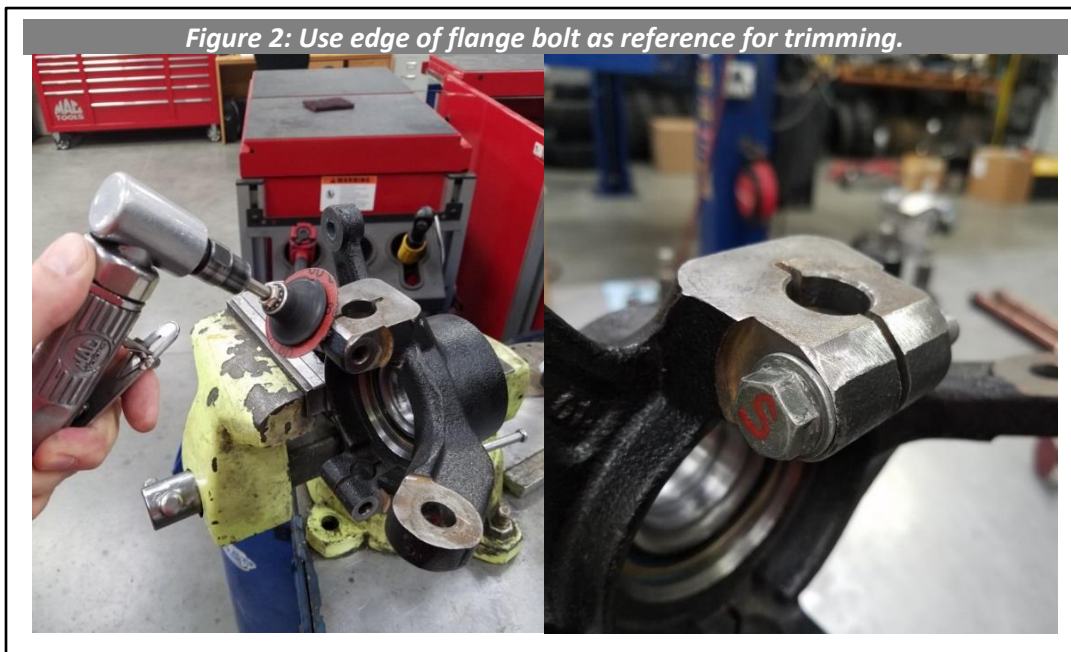
- Read instructions carefully and study the pictures before attempting installation.
- Check the parts and hardware packages against the parts list to ensure that your kit is complete.
- The OEM spindles need to be modified to provide clearance for these arms.

INSTALLATION

1. Raise front of vehicle by frame until tires are off the ground. Remove front wheels.
2. OEM spindles need to be trimmed to provide clearance for Cognito control arms. See **Figure 1** for corners that need to be trimmed. Trimming has no effect on the structural integrity of the spindle.
 - Unbolt brake calipers, axle nut, and control arms from spindles. Remove spindle and let remaining components hang. Retain OEM hardware; they will be reused.
 - Use air sander and remove corner material up to edge of flanged pinch bolt shown in **Figure 2**.



Figure 2: Use edge of flange bolt as reference for trimming.

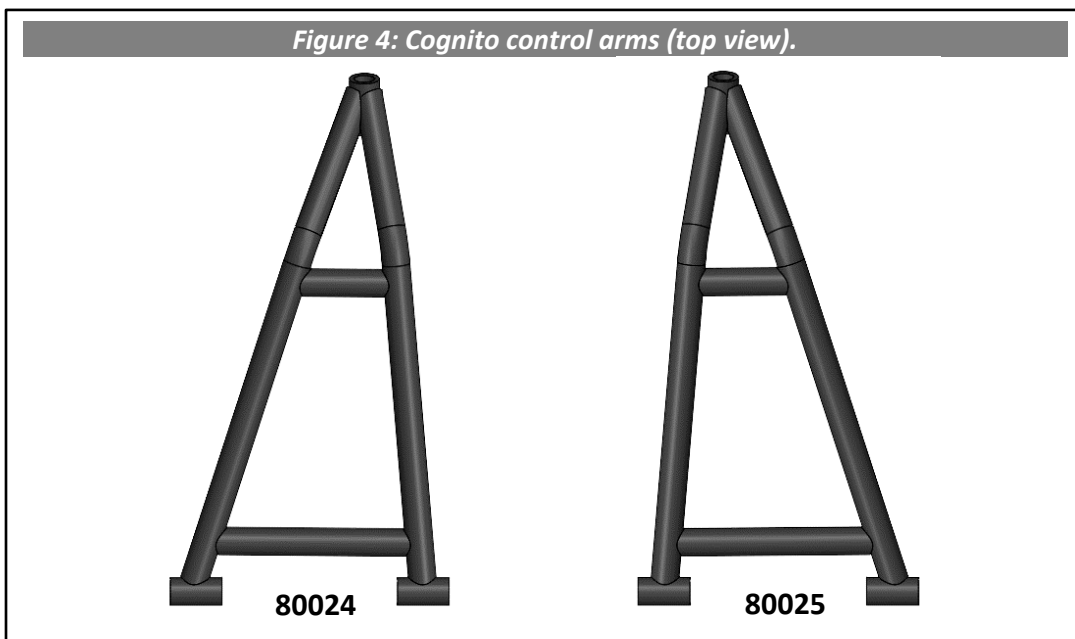
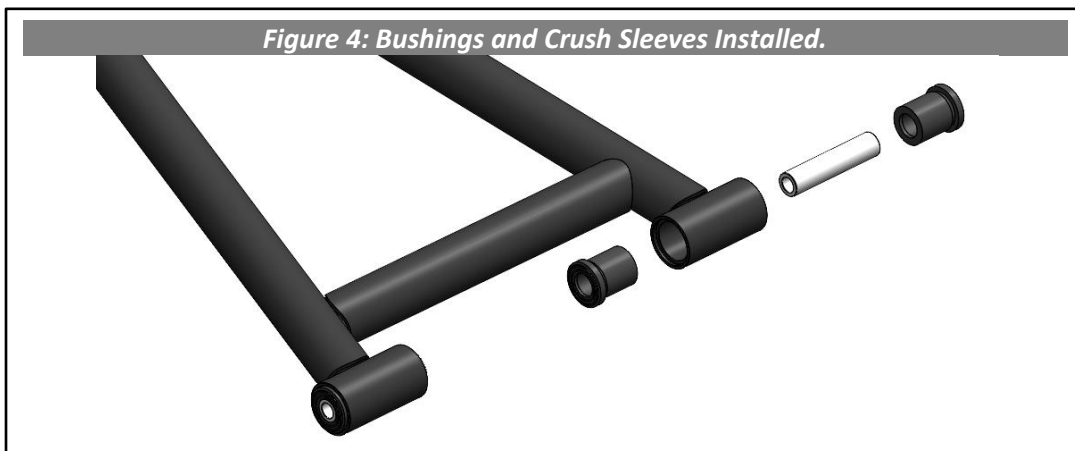


3. Unbolt and remove OEM lower control arms from vehicle. Retain OEM hardware; they will be reused.

4. Locate the following:

- 1x **80024** – Assembled Arm, Driver
- 1x **80025** – Assembled Arm, Passenger

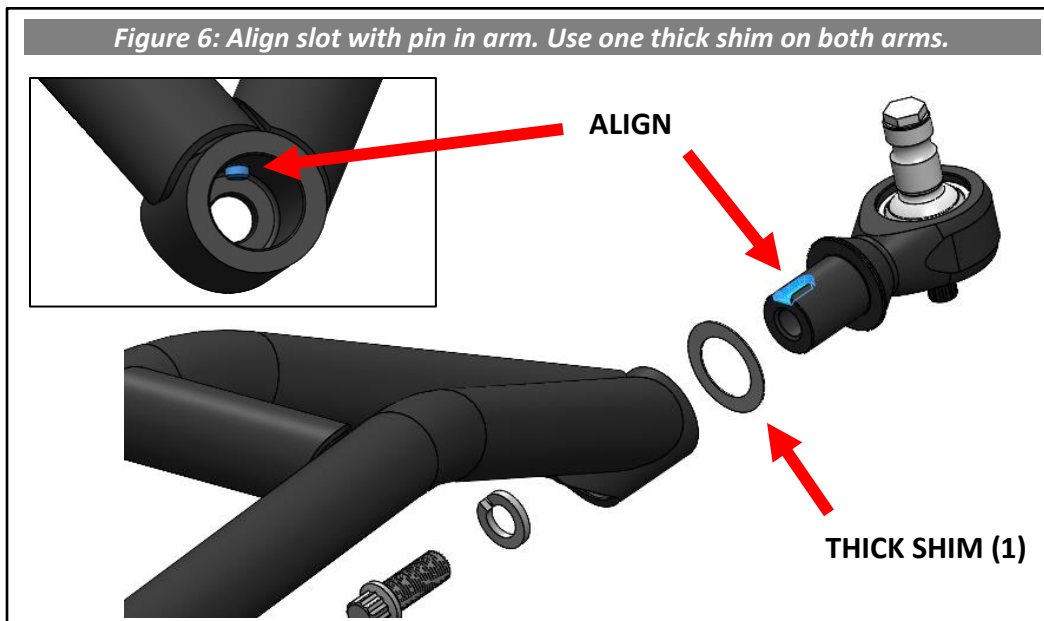
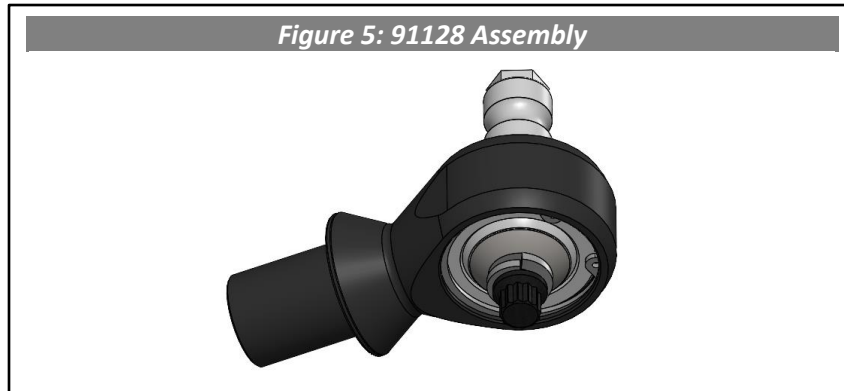
Verify installation of bushings and crush sleeves inside pivot tubes (Figure 4). Install Cognito control arms onto vehicle using OEM pivot bolts. Install **80024** onto driver (left) side of vehicle and **80025** onto passenger (right) side of vehicle. Torque pivot bolts to **70 ft-lbs**.



5. Locate the following:

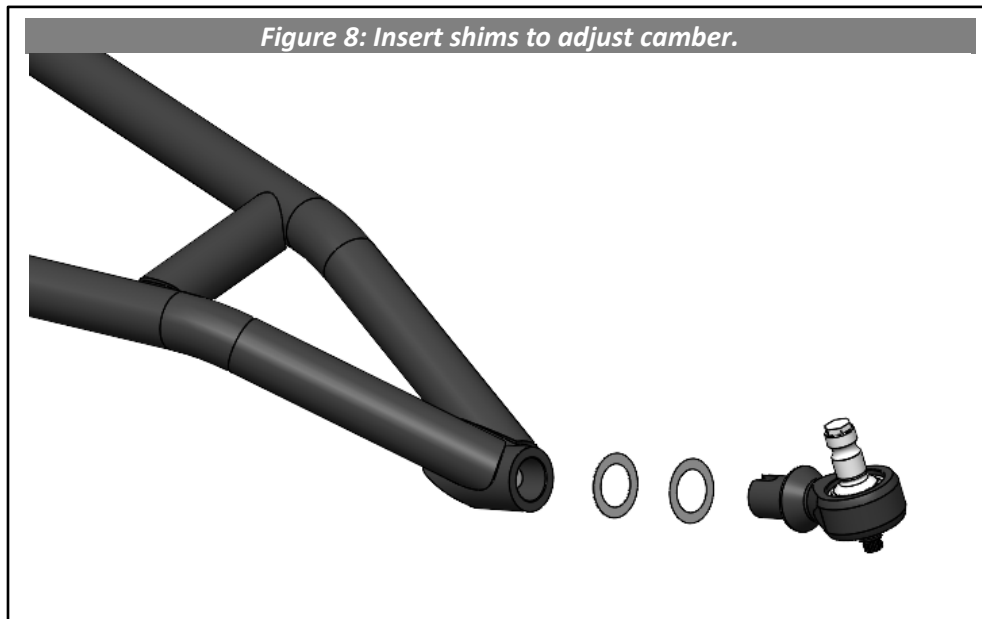
- 2x **91128** – Adjustable Rod-End Kit, Uniball
 - 1x **6297** – Rod-End
 - 1x **91127** – Uniball/Pin Assembly
 - 1x **1/2"-20 X 1-1/4" 12pt Flanged Bolt**
 - 1x **1/2" Split-Lock Washer**
 - 1x **Retaining Ring**
 - 2x **.012" Shim**
 - 2x **.025" Shim**

Verify installation of uni-ball and retaining ring in 6297 rod-end, as shown in **Figure 5**. Retaining ring must be fully seated in groove. Stack one **thick .025"** shim onto each rod end. Align slot in 6297 with pin in control arms, insert rod-end assembly into each control arm, and fasten with 1/2" 12pt bolt and split-lock washer (**Figure 6**). Torque assembly to **80 ft-lbs**. Set remaining shims aside for now.



6. Reassemble axles and spindles. Torque pinch bolts on spindle to **40 ft-lbs**. Mount brake calipers and torque bolts to **40 ft-lbs**. Tighten axle nuts to **180 ft-lbs** and secure with cotter pin.
7. Install wheels and fully cycle suspension and steering. Ensure there is no tension on brake lines.
8. Set vehicle on ground and roll back and forth to settle suspension. Set desired ride height if adjustable.
9. Set alignment using supplied camber shims. Adding **thin** shims will increase camber **negatively** by **.15deg**. Adding **thick** shims will increase camber **negatively** by **.35deg**. Recommended: set front camber to 0.5-1 degree of negative camber.

To install shims, support vehicle from underneath and back out 1/2" 12pt bolt. Insert shims between rod-end and control arm as shown in **Figure 8**. Ensure 12pt bolt is re-torqued to **80 ft-lbs** after adjustment. Installation is complete.



WARRANTY / RETURN POLICY / SAFETY

Cognito Limited Lifetime Warranty

Cognito Motorsports, Inc. hereinafter "Cognito," warrants to the original retail purchaser, that its suspension products are free from workmanship and material defects for as long as the purchaser owns the vehicle on which the product(s) were originally installed. This warranty will be void if any modifications are made to the components, including alterations to the surface finish, i.e.; painting, powder coating, plating, and/or welding, or if they are improperly installed. Cognito truck suspension products are not designed nor intended to be installed on "competition" vehicles used in race applications, stunt or for exhibition purposes that are outside of the intended operating conditions specified by the manufacturer. Racing and competition are defined as any contests between two or more vehicles; or vehicles competing individually on off road circuits in timed events (whether or not such contests are for an award or prize).

This warranty does not include coverage for police, taxi, government or commercial vehicles, and the warranty does not cover Cognito products sold outside of the USA. Cognito's obligations under this warranty are specified and applied at its sole discretion, and warranty coverage is limited to repair or replacement of the defective product(s). Any and all costs of removal, installation or reinstallation; freight charges, incidental or consequential damages associated with the covered products are expressly excluded from this warranty.

The following items are exempt from Cognito limited warranty coverage: bushings, bump stops, tie-rod ends (Heim joints) and limiting straps. These parts are "consumables" and designed to wear as a normal part of their duty cycle, therefore they are not considered defective when worn. The aforementioned products are warrantied separately against defects in workmanship, for 60 days from the date of purchase. As a condition of warranty validation, respective Cognito suspension components must be installed as a complete system (not combined with non-Cognito hardware or ancillary parts). Any substitutions or omission of required components will void the warranty. Some minor cosmetic wear and imperfections may occur to parts during shipping, which is not covered under this warranty. This limited warranty does not apply to any components that have been subjected to collision damage, negligence, alteration, abuse, or misuse, and coverage does not extend to products manufactured by third-party companies. Cognito reserves the right to supersede, discontinue, or change the design, finish, part number and/or application of its parts when deemed necessary, without notice.

Return Policy

Product returns will not be accepted without prior written approval from an authorized Cognito representative. All products being returned must be shipped via trackable, prepaid freight. Returned products are subject to a 25% percent restocking fee. The eligible return period for products purchased directly from Cognito is 30 days from the verified date when the product(s) were originally received by the purchaser.

Product Safety Advisory

The installation of Cognito steering and suspension components will modify your vehicle's original factory equipment and geometry, which may cause it to handle differently than a stock (unaltered) vehicle. Installation of these components is not intended to strengthen nor reinforce the vehicle's frame, nor are they designed to increase rollover protection. It is necessary to periodically inspect all suspension and drive train components for proper attachment, torque specifications, operation, and for any potential unusual wear or damage. Installation of these parts will modify the height of the vehicle and may raise the center of gravity. Modifying vehicle height combined with off road operation may increase your vehicle's susceptibility to rollover conditions, which may cause serious injury or death. Many states regulate allowable vehicle height modifications, and it is your responsibility to know and comply with the legal requirements specified by the laws where you reside. Modifications to your vehicle's ride height may also affect the ride quality, driver input response, trackability and handling, and wear to your vehicle's suspension components and tires.