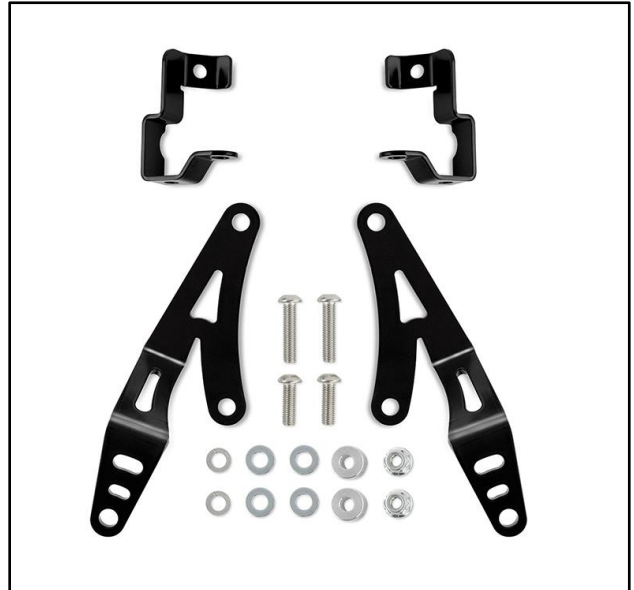




34935 Flyover Ct. Bakersfield, CA 93308  
Phone: (661) 588-8085 | Fax: (661) 588-8295

**INSTALL INSTRUCTIONS:**

Cognito Vision X XPL LoPro 40 in., LED Mounting Kit for 4 Seat Cage, Polaris  
New SKU: 360-90670  
Old SKU: NA



**PARTS LIST FOR SKU: 360-90670**

QTY.	PART #	DESCRIPTION
1	2573	Vision X, Light Bar, Front Mount, Left Side 4 Seat Cage
1	2574	Vision X, Light Bar, Front Mount, Right Side 4 Seat Cage
1	2575	Vision X, Light Bar, Adapter Mount, Left Side
1	2576	Vision X, Light Bar, Adapter Mount, Right Side
1	HP9238	Vision X XPL LoPro 40 in. LED, Mounting Kit, Hardware pack
2	HARDWARE-M8X1.25X35-SSBH	M8-1.25 x 35mm ISO 7380 Hex Drive Grade A2-70 Stainless Steel Button Socket Cap Screw - Fully Thread
4	HARDWARE-M8X1.25X25-SSBH	M8-1.25 x 25mm ISO 7380 Hex Drive Grade A2-70 Stainless Steel Button Socket Cap Screw - Fully Thread
2	HARDWARE-M8X1.25-FN	M 8 - 1.25 Hexagon Flange Nut with Nylon Insert Steel Zinc. DIN 6926 / ISO 7043
2	HARDWARE-33080	33080 5/16 Sae F/W Z..
2	HARDWARE-33620	5/16 Lock Washer
2	6390	spacer, aluminum, 3/4 od, 1/2 long, .315 id

**WARNING**

Please read this entire instruction sheet before beginning installation. Proper installation of these components requires a qualified mechanic. Always wear safety glasses when using power tools, and take appropriate precautions when working under a vehicle. If these instructions are not properly followed you may jeopardize your, and your passenger's safety, and severe frame, suspension or tire damage may also result from improper installation.

**REQUIREMENTS**

- Always wear safety glasses when using power tools. Some drilling is required.

**TECH NOTES**

- Installation requires a qualified mechanic.
- Read instructions carefully and study the pictures (if included) before attempting installation.
- Check the parts and hardware packages against the parts list to assure that your kit is complete.

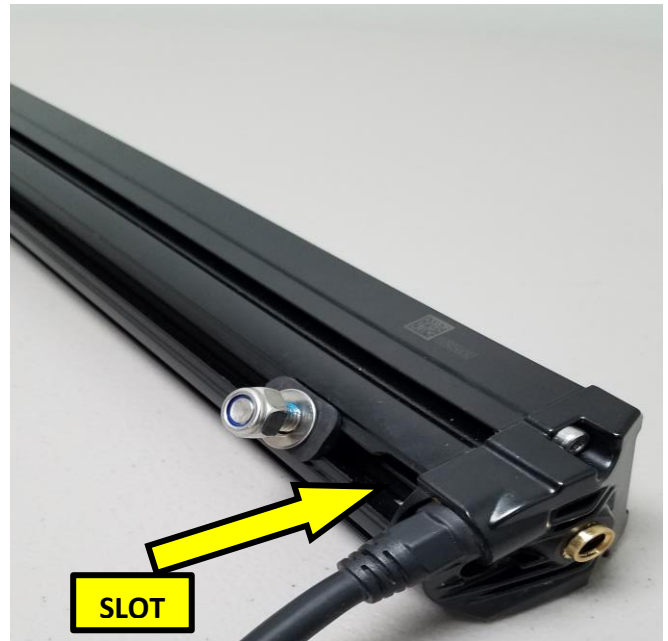
## INSTALLATION

1. Insert the two hex bolts through the slot, one hex bolt for each side of the Vision X light bar, see figures 1&2.

*Figure 1: Sliding Hex Bolts*

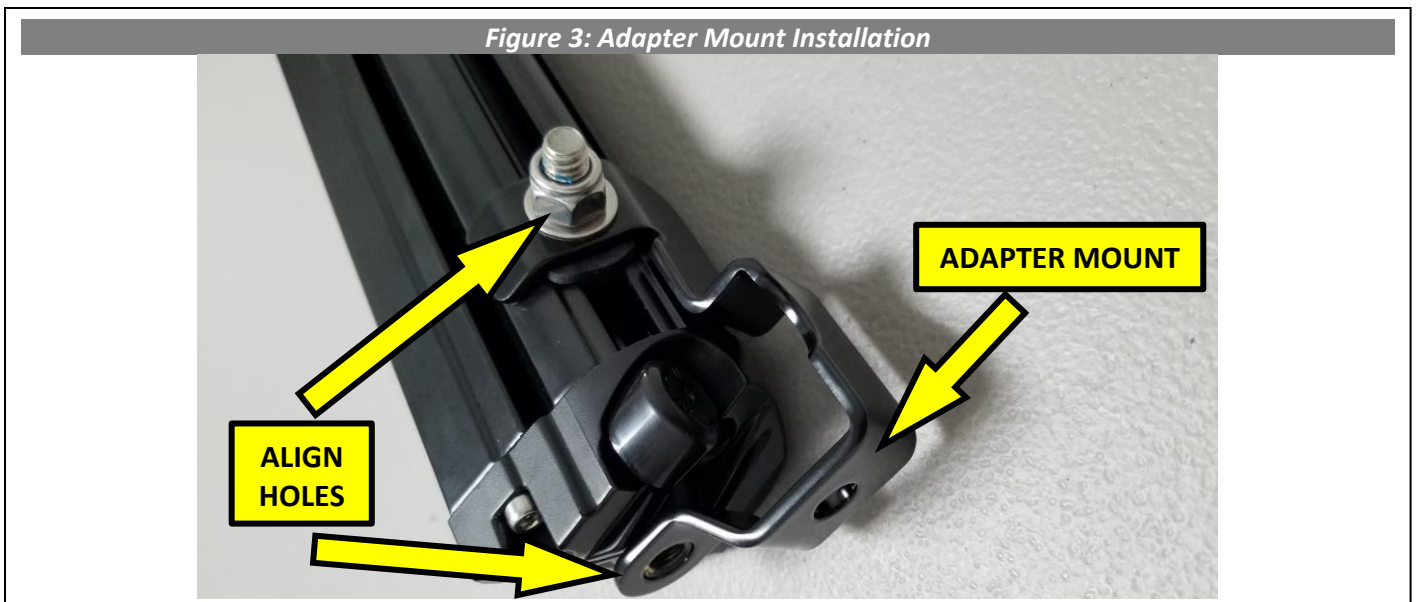


*Figure 2: Slot for Sliding*

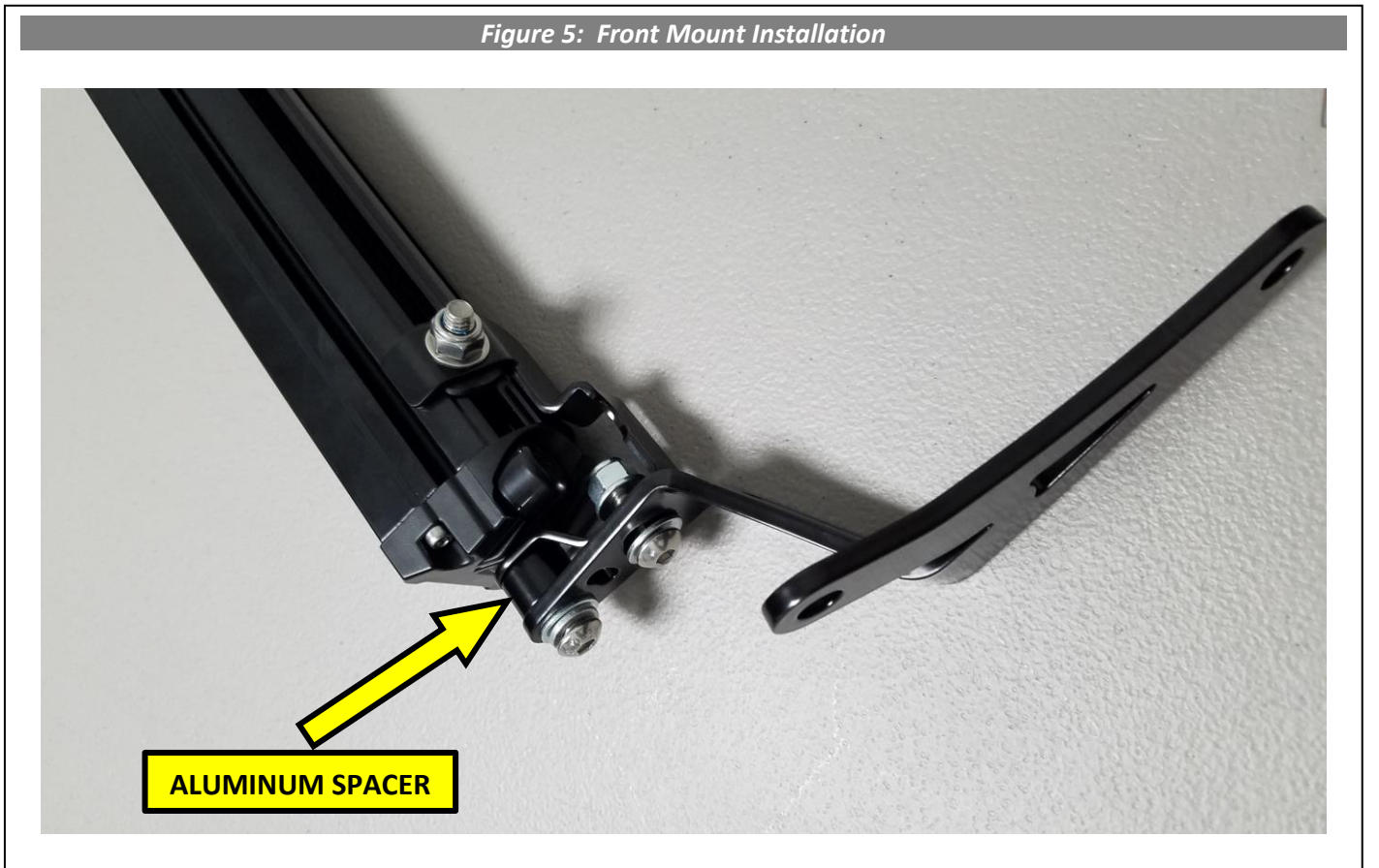
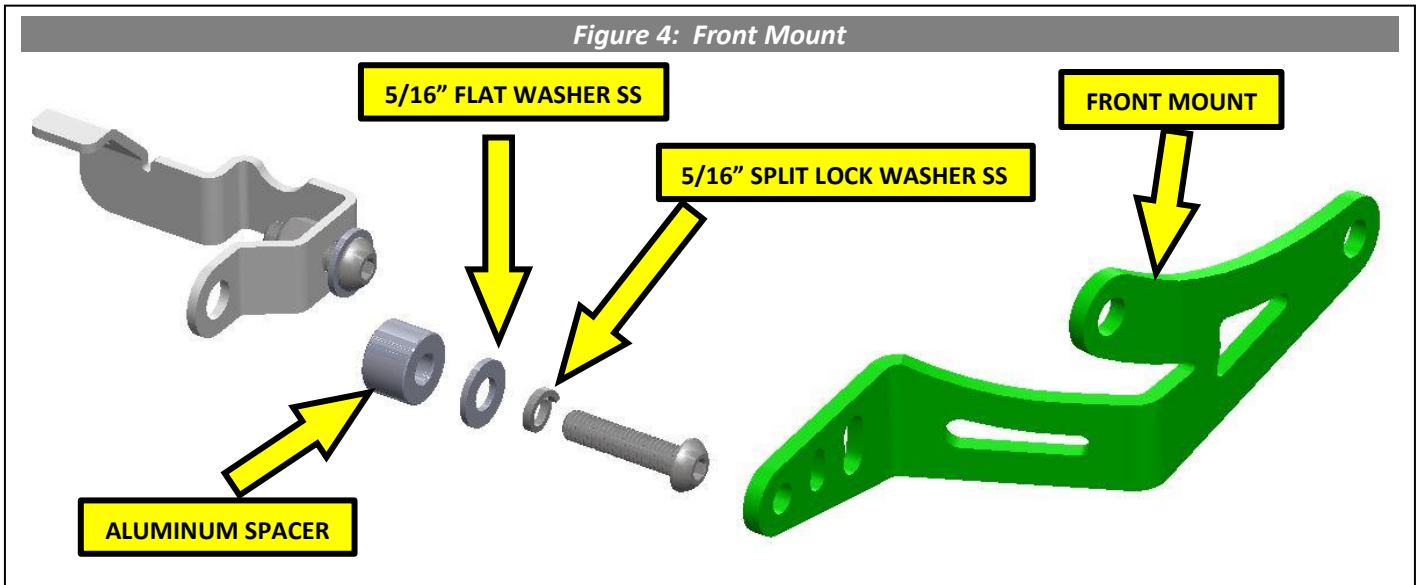


2. Install the adapter mount, make sure the adapter mount and light bar holes are aligned properly as shown in figure 3. Repeat same for other side of the light bar.

*Figure 3: Adapter Mount Installation*



3. Install the front mount to the light bar and adapter mount by using the aluminum spacer provided and tighten to 18 Ft-lbs. (25 Nm) Repeat other side. For reference see figures 4&5



4. Align the front mount with the threaded holes on the roll cage as shown in figure 5. Tighten hardware to 13 Ft-lbs. (18 Nm).

*Figure 5: Vision X XPL LoPro 40 in., LED Assembly - Front*



## WARRANTY / RETURN POLICY / SAFETY

### **Cognito Limited Lifetime Warranty**

Cognito Motorsports, Inc. hereinafter “Cognito,” warrants to the original retail purchaser, that its suspension products are free from workmanship and material defects for as long as the purchaser owns the vehicle on which the product(s) were originally installed. This warranty will be void if any modifications are made to the components, including alterations to the surface finish, i.e.; painting, powder coating, plating, and/or welding, or if they are improperly installed. Cognito truck suspension products are not designed nor intended to be installed on “competition” vehicles used in race applications, stunt or for exhibition purposes that are outside of the intended operating conditions specified by the manufacturer. Racing and competition are defined as any contests between two or more vehicles; or vehicles competing individually on off road circuits in timed events (whether or not such contests are for an award or prize).

This warranty does not include coverage for police, taxi, government or commercial vehicles, and the warranty does not cover Cognito products sold outside of the USA. Cognito’s obligations under this warranty are specified and applied at its sole discretion, and warranty coverage is limited to repair or replacement of the defective product(s). Any and all costs of removal, installation or reinstallation; freight charges, incidental or consequential damages associated with the covered products are expressly excluded from this warranty.

The following items are exempt from Cognito limited warranty coverage: bushings, bump stops, tie-rod ends (Heim joints) and limiting straps. These parts are “consumables” and designed to wear as a normal part of their duty cycle, therefore they are not considered defective when worn. The aforementioned products are warranted separately against defects in workmanship, for 60 days from the date of purchase. As a condition of warranty validation, respective Cognito suspension components must be installed as a complete system (not combined with non-Cognito hardware or ancillary parts). Any substitutions or omission of required components will void the warranty. Some minor cosmetic wear and imperfections may occur to parts during shipping, which is not covered under this warranty. This limited warranty does not apply to any components that have been subjected to collision damage, negligence, alteration, abuse, or misuse, and coverage does not extend to products manufactured by third-party companies. Cognito reserves the right to supersede, discontinue, or change the design, finish, part number and/or application of its parts when deemed necessary, without notice.

### **Return Policy**

Product returns will not be accepted without prior written approval from an authorized Cognito representative. All products being returned must be shipped via trackable, prepaid freight. Returned products are subject to a 25% percent restocking fee. The eligible return period for products purchased directly from Cognito is 30 days from the verified date when the product(s) were originally received by the purchaser.

### **Product Safety Advisory**

The installation of Cognito steering and suspension components will modify your vehicle’s original factory equipment and geometry, which may cause it to handle differently than a stock (unaltered) vehicle. Installation of these components is not intended to strengthen nor reinforce the vehicle’s frame, nor are they designed to increase rollover protection. It is necessary to periodically inspect all suspension and drive train components for proper attachment, torque specifications, operation, and for any potential unusual wear or damage. Installation of these parts will modify the height of the vehicle and may raise the center of gravity. Modifying vehicle height combined with off road operation may increase your vehicle’s susceptibility to rollover conditions, which may cause serious injury or death. Many states regulate allowable vehicle height modifications, and it is your responsibility to know and comply with the legal requirements specified by the laws where you reside. Modifications to your vehicle’s ride height may also affect the ride quality, driver input response, trackability and handling, and wear to your vehicle’s suspension components and tires.