



START HERE

Cognito 3-Inch Elite Lift Kit with Elka 2.5" remote reservoir shocks for 2020+ Ford F250/F350 4WD Trucks

INSTALL SUMMARY SHEET:

Cognito 3-Inch Elite Lift Kit with Elka 2.5" remote reservoir shocks for 2020+ Ford F250/F350 4WD Trucks

SKU: 220-P1134

PARTS LIST FOR SKU: 220-P1134

QTY.	PART #	DESCRIPTION
1	90599	2005+ FSD 1" Bump Stop Spacer Kit
1	120-70089	2005+ FSD 2"/3" Coil Spring Kit
1	120-90588	2017+ FSD Front Brake Line Bracket Kit
1	120-90947	2017+ FSD Fixed Length Track Bar for Leveled and Lifted Trucks
1	120-91022	3" Block and 16.5" U-bolt Kit (cast/tapered)
1	520-91123	Elka Front 2.5" Remote Reservoir Shock, Driver
1	520-91124	Elka Front 2.5" Remote Reservoir Shock, Passenger
1	520-91125	Elka Rear 2.5" Piggyback Remote Reservoir Shock, Driver
1	520-91126	Elka Rear 2.5" Piggyback Remote Reservoir Shock, Passenger



WARNING

Please read this entire instruction sheet before beginning installation. Proper installation of these components requires a qualified mechanic. Always wear safety glasses when using power tools and take appropriate precautions when working under a vehicle. If these instructions are not properly followed you may jeopardize your, and your passenger's safety, and severe frame, suspension or tire damage may also result from improper installation.

TOW PACKAGE WARNING

Truck equipped with tow packages typically come equipped with overload springs, but these increase the size of the spring. This kit was designed for the standard leaf spring, if you have overload springs or are not sure please contact the Cognito Sales Team for further help.

DUAL REAR WHEEL "DUALY" TRUCK WARNING

The leaf spring center pin is a larger diameter on the dual rear wheel vehicles and will require the hole in the top of the lift block to be drilled out to the larger size. If you are unable to perform these modifications, please contact the Cognito Sales Team for further help.

INTRODUCTION

Thank you for purchasing the Cognito 3" Elite Lift Kit. This kit is designed and bundled with everything you need to lift your vehicle 3" in the front, 1" in the rear, and provide added droop travel. This kit also includes Elka 2.5" Remote Reservoir Shocks for all 4 corners ensuring an elite ride quality.

TECHNICAL INFORMATION

- **THIS KIT WILL NOT FIT 2WD MODELS.**
- This kit requires advanced mechanical procedures that should only be performed by a qualified mechanic.
- Only the shocks supplied in this kit can be used with this lift package.
- This lift kit may only be installed on a truck that has not already been lifted or leveled. You cannot stack leveling kits or shock spacers.
- Proper vehicle lifting equipment is required. Always make sure the vehicle is properly supported and **never work under an unsupported vehicle.**
- Check the parts and hardware packages against the parts list in each instruction set to assure that your kit is complete.
- Be sure to read though all install instructs include with this kit prior to attempting instillation and heed all warnings, failure to comply with all warnings and requirements can lead to an accident and serious injury.

This Kit Install Summary will guide you through the **necessary order of steps** to install each of the individual components that comprise this kit in the required sequence to safely complete full and proper installation.

The proper installation of this combination of products is dictated by the necessary sequence in which each component must be installed to avoid access, interference or clearance issues that will result in unnecessary disassembly and reassembly and potential safety hazards.

This document will guide you through the sequence of operations, which includes preparatory work and the prescribed order for installing components – by referring you to the individual instructions packaged with each Cognito component for detail on how each kit component is properly installed.

YOU MUST FOLLOW THESE STEPS IN SEQUENTIAL ORDER FOR PROPER INSTALLATION OF THIS KIT.

REVIEW TECHNICAL NOTES AND REQUIREMENTS OF THE INDIVIDUAL INSTALLATION INSTRUCTION SHEETS INCLUDED WITH THIS KIT BEFORE BEGINNING.

INSTALLATION

1. Begin by locating the five (5) other installation sheets, **7024**, **7158**, **7272**, and the front and rear Elka 2.5" Remote Reservoir Shock instructions included with this kit.
2. Secure the rear tires to prevent the vehicle from rolling or moving, but do not lift at this time.
3. Locate instruction sheet **7158** and check to make sure you have all parts on the part list. Work through this installation sheet to completion.
4. Remove the sway-bar end link nut from both driver and passenger sway-bar end links.
5. Locate instruction sheet **7272** and check to make sure you have all parts on the part list. Work through this installation sheet to completion.
6. Remove the front shocks from both driver and passenger side of the vehicle by unfastening the upper nuts and lower bolts, see Figure 1 and 2.

Figure 1: Front Shock Upper Nut Removal



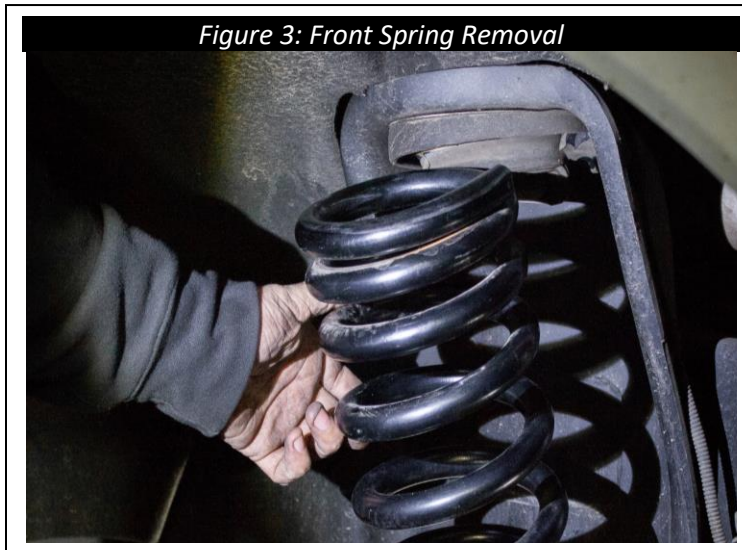
Figure 2: Front Shock Lower Bolt Removal



7. Support the vehicle on a lift or on jack-stands and remove the front wheels and tires. Slowly raise the vehicle until the front springs can be removed. DO NOT raise the vehicle any higher than necessary to remove the front springs, see Figure 3.

- **NOTE:**

Ensure that all brake lines, vacuum lines, hoses, and wiring are free of stress or interference prior to lifting the vehicle. Failure to complete this step can result in major damages.



8. Locate the OEM bump stop underneath both the driver and passenger side frame rails. Remove the bump stop spacer using a screwdriver to pry out the bump stop mount, see Figure 4.
9. With the bump stop removed, loosen the bolt, and remove the OEM bump stop mount from the frame rails, see Figure 5.



10. Locate **90599** Cognito 1" Bump Stop Spacer Kit included in this kit, the OEM bump stop spacer, and the OEM bump stop mount.
11. Insert the locking tab on the OEM bump stop mount into the alignment hole on the Cognito 1" bump stop spacer, see Figure 6.

12. Using one (1) M8-1.25 x 80mm bolt, one (1) M8 flat washer, and one (1) M8 split washer, assemble the OEM bump stop mount and Cognito 1" bump stop spacer together. Orientate the spacer so that the flat side of the OEM bump stop mount is facing the spring, see Figure 7.

Torque bolt to **25 ft-lbs**.

- **NOTE:**

The split washer should go between the bolt head and the flat washer.

Figure 6: Bump Stop Spacer and OEM Mount



Figure 7: Assembled Bump Stop Installation



13. Locate instruction sheet included with the **520-91123** and **520-91124** Elka 2.5" Remote Reservoir Shocks. Follow Elka's instructions on how to install the reservoir mounting bracket prior to beginning the next step.

- **NOTE:**

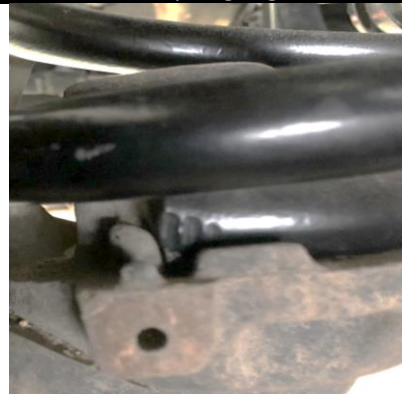
Do not proceed until reservoir mounting bracket is installed on both sides of the vehicle.

14. Locate **120-70089** the Cognito Coil Springs and align the OEM rubber isolator with the top spring pigtail.
15. Install the coil spring with the OEM rubber isolator onto the lower spring perch and rotate until the bottom spring pigtail contacts the OEM spring perch tab, see Figures 8 and 9 .
16. Repeat on the opposite side of the vehicle.
17. With the coil springs installed, locate **520-91123** and **520-91124** Elka 2.5" Remote Reservoir Front Shocks. Refer to the instruction sheet provided by Elka for proper installation.

Figure 8: Top Spring Pigtail Installation



Figure 9: Bottom Spring Pigtail Installation



18. This step is for DUAL REAR WHEEL (DRW) models only, all other models skip to the next step.

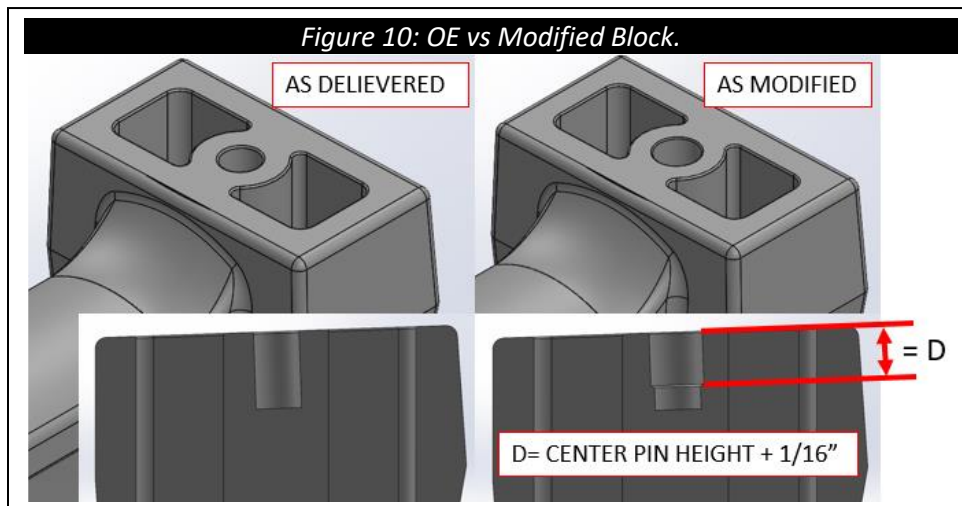
The blocks in SKU:120-91022 must be modified to fit the DRW axle, the steps below outline how to modify the blocks.

1. Drill out the hole in top of the block to 3/4".

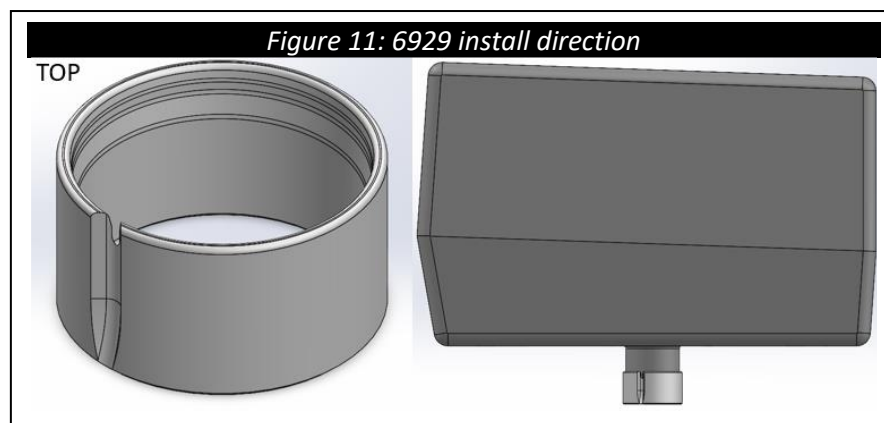
- **NOTE:**

The block is tapered by approximately 2 degrees, ensure the new hole is drilled straight on with the face.

The full depth of the hole ***DOES NOT*** need to be drilled out, only drill as deep as needed to let the center pin fully seat down inside of the block.



2. Locate the 2x 6929, from SKU: 120-91022 and some bearing retention compound or epoxy glue for bonding metal to metal
3. Coat the inside of 6929 with epoxy/ retention compound and place on top of the pin on the bottom of the block, hit the bottom of the sleeve hit with a hammer to install sleeve onto the pin of the block. Wipe off any excess epoxy/ retention compound.
 - **NOTE:**
6929 install is direction dependent, the top of 6929 is round and wider to accept the pin. Ensure the sleeve is install in the correct direction.
6929 is designed to split down the side once installed.



19. Locate instruction sheet **7024** and check to make sure you have all parts on the part list. Work through this installation sheet to completion.
 - **SINGLE REAR WHEEL (SRW) NOTE:**
The 2X 6929 in SKU: 120-91022 will not be used for SRW models and can be discarded.
20. Locate **520-91125** and **520-91126** Elka 2.5" Remote Reservoir Rear Shocks. Refer to the instruction sheet provided by Elka for proper installation.
21. Ensure that all bolts are properly torqued. Ensure there are no rubbing or loose cables anywhere after the Cognito Leveling Kit installation. Use cable ties to restrain any cables from interfering with any other part. Check that all lines are free of stress or interference while the vehicle is in full droop, full bump, and throughout the complete steering cycle.
22. Install front wheels and tires and torque lug nuts to the factory manufacturer's specifications.
23. Adjust headlights per owner's manual.
24. Have the vehicle professionally aligned.
 - **NOTE:**
If the steering wheel is not straight and needs to be adjusted, a **qualified mechanic** can adjust the drag link to get the steering wheel straight. To do this, turn your vehicle on and engage the emergency brake. With the vehicle running, adjust the drag link length until the front tires are pointing straight while the steering wheel is also straight.

This kit will not change the vehicle's toe settings.

This completes the installation steps, enjoy your new Cognito 3-Inch Elite Lift Kit!



WARRANTY / RETURN POLICY / SAFETY

Cognito Limited Lifetime Warranty

Cognito Motorsports, Inc. hereinafter “Cognito,” warrants to the original retail purchaser, that its suspension products are free from workmanship and material defects for as long as the purchaser owns the vehicle on which the product(s) were originally installed. This warranty will be void if any modifications are made to the components, including alterations to the surface finish, i.e.; painting, powder coating, plating, and/or welding, or if they are improperly installed. Cognito truck suspension products are not designed nor intended to be installed on “competition” vehicles used in race applications, stunt or for exhibition purposes that are outside of the intended operating conditions specified by the manufacturer. Racing and competition are defined as any contests between two or more vehicles; or vehicles competing individually on off road circuits in timed events (whether or not such contests are for an award or prize).

This warranty does not include coverage for police, taxi, government or commercial vehicles, and the warranty does not cover Cognito products sold outside of the USA. Cognito’s obligations under this warranty are specified and applied at its sole discretion, and warranty coverage is limited to repair or replacement of the defective product(s). Any and all costs of removal, installation or reinstallation; freight charges, incidental or consequential damages associated with the covered products are expressly excluded from this warranty.

The following items are exempt from Cognito limited warranty coverage: bushings, bump stops, tie-rod ends (Heim joints) and limiting straps. These parts are “consumables” and designed to wear as a normal part of their duty cycle, therefore they are not considered defective when worn. The aforementioned products are warranted separately against defects in workmanship, for 60 days from the date of purchase. As a condition of warranty validation, respective Cognito suspension components must be installed as a complete system (not combined with non-Cognito hardware or ancillary parts). Any substitutions or omission of required components will void the warranty. Some minor cosmetic wear and imperfections may occur to parts during shipping, which is not covered under this warranty. This limited warranty does not apply to any components that have been subjected to collision damage, negligence, alteration, abuse, or misuse, and coverage does not extend to products manufactured by third-party companies. Cognito reserves the right to supersede, discontinue, or change the design, finish, part number and/or application of its parts when deemed necessary, without notice.

Return Policy

Product returns will not be accepted without prior written approval from an authorized Cognito representative. All products being returned must be shipped via trackable, prepaid freight. Returned products are subject to a 25% percent restocking fee. The eligible return period for products purchased directly from Cognito is 30 days from the verified date when the product(s) were originally received by the purchaser.

Product Safety Advisory

The installation of Cognito steering and suspension components will modify your vehicle’s original factory equipment and geometry, which may cause it to handle differently than a stock (unaltered) vehicle. Installation of these components is not intended to strengthen nor reinforce the vehicle’s frame, nor are they designed to increase rollover protection. It is necessary to periodically inspect all suspension and drive train components for proper attachment, torque specifications, operation, and for any potential unusual wear or damage. Installation of these parts will modify the height of the vehicle and may raise the center of gravity. Modifying vehicle height combined with off road operation may increase your vehicle’s susceptibility to rollover conditions, which may cause serious injury or death. Many states regulate allowable vehicle height modifications, and it is your responsibility to know and comply with the legal requirements specified by the laws where you reside. Modifications to your vehicle’s ride height may also affect the ride quality, driver input response, trackability and handling, and wear to your vehicle’s suspension components and tires.



This page intentionally left blank.