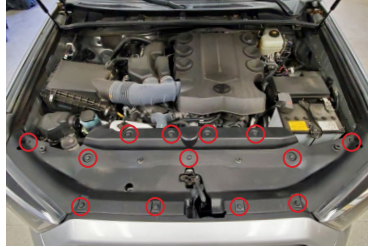


DIODE DYNAMICS
2014-2019 Toyota 4Runner
SS6 SAE/DOT Lightbar Kit Installation Guide



7. Reinstall the core support trim panel using the original thirteen push-rivets. Push the center of the push-rivets down so that they are flush with the top of the surface to lock them in place.

Please contact **Diode Dynamics** should you have any questions about the installation or wiring process, at **314-205-3033** (10a-5p CST) or **contact@diodedynamics.com**.

NEED MORE HELP?

Scan the QR code to link to our installation video online!

We've taken the time to test our products on your vehicle. We can guarantee compatibility and fitment the first time – no guessing game! If you need more help with installation, watch our step-by-step video to walk you through the process.

YouTube



This installation guide is for the following SKUs:

- DD6754** 4Runner 2014 SS6 Driving Light Brackets
- DD6755** 4Runner 2014 SS6 Driving Light Kit White Driving
- DD6756** 4Runner 2014 SS6 Driving Light Kit White Wide

- DD6757** 4Runner 2014 SS6 Driving Light Kit Amber Driving
- DD6758** 4Runner 2014 SS6 Driving Light Kit Amber Wide

**100% SATISFACTION
 GUARANTEE**

**3 YEAR
 WARRANTY**



DIODE DYNAMICS
 PERFORMANCE LIGHTING TECHNOLOGY

2014-2019 Toyota 4Runner
SS6 SAE/DOT Lightbar Kit Installation Guide



DIODE DYNAMICS

2014-2019 Toyota 4Runner

SS6 SAE/DOT Lightbar Kit Installation Guide

Thank you for your purchase of this custom-designed LED lightbar kit for your 2014-2019 Toyota 4Runner! This kit utilizes both factory and included hardware from the light bar to mount the bracket to the vehicle.

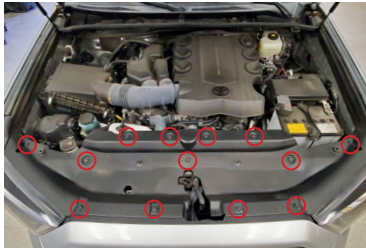
**3 YEAR
WARRANTY**

Tools Needed: 10mm socket, flathead screwdriver or plastic trim tool



WATCH THE INSTALLATION VIDEO ONLINE!

Scan the QR code on page 3



1. Remove the thirteen push-rivets holding the core support trim panel in place. Push down in the center of each push-rivet and then use a plastic trim removal tool or flathead screwdriver to extract the push-rivet.

Reset the push-rivets upon removal by pushing the center section back through the top.

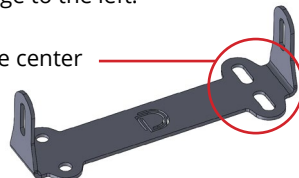


2. Using a trim removal tool or flathead screwdriver, remove the four plastic push-rivets shown in the image to the left.



3. Install your new Diode Dynamics brackets using the provided M8 hardware in the newly uncovered holes shown in the image to the left.

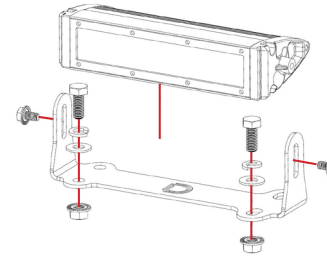
Mount toward the center of the vehicle.



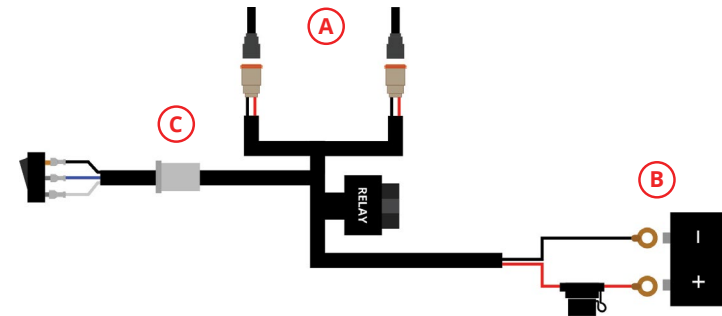
DIODE DYNAMICS

2014-2019 Toyota 4Runner

SS6 SAE/DOT Lightbar Kit Installation Guide



4. Using a 10mm wrench, install your Stage Series 6" light bars in the brackets with the provided M6 hardware.



5. Connect the light bars to the included wiring harness (A). Route the wiring harness to the battery and connect the ring terminals to the positive and negative battery terminals (B). Use the included toggle switch (C) and run it into your cabin. We suggest routing wires behind the driver side headlight to the battery.



6. Test to confirm the light bars are turning on. Aim your light bars. Please check your local laws and regulations for aiming, installation, and applicability.

See back for further instructions.