

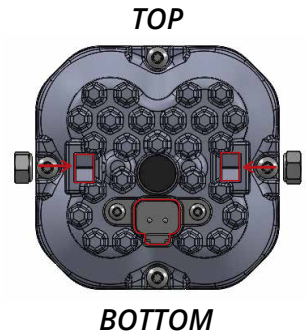
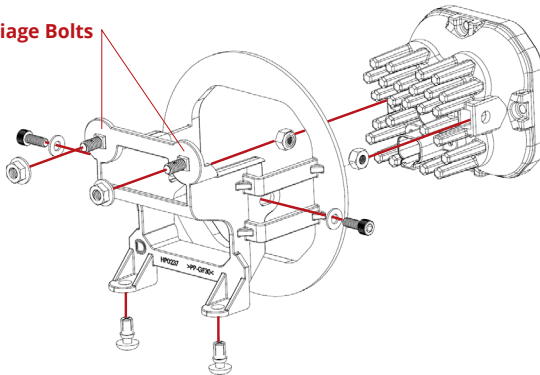


Thank you for your purchase of our new SS3 Type OB Foglight Kit. CAD-designed to use existing mounting points, this kit is compatible with the 2005-2009 and 2013-2019 Subaru Outback. Basic installation instructions are included below. **Please contact us if you have any questions.**

COMPUTER DESIGNED
OEM FITMENT



M6 Carriage Bolts



Left and Right Sides

1. Install the two included M6 carriage bolts on the bracket as shown above. We recommend using a small amount of adhesive to prevent them from falling out during installation.
2. Install the supplied nuts into the pod housing with the nylon facing inward. Attach the bracket to the pod using the supplied screws and washers. See diagrams above. The screws will also determine the aim of your SS3 pods. Ensure that the screws are tightened such that the pod retains its position, but can pivot with force for aiming.

See back for further instructions.



3. Use a plastic trim removal tool to remove the four push rivets on the outer splash guard. Gently pry the splash guard down to gain access to the fog lights. The splash guard will still be connected to the inner fender liner. It should not be necessary to completely remove it unless desired.



4. Unplug the fog lamp connector. Use a plastic trim removal tool to remove the two plastic push rivets along the bottom of the lamp. Holding the front face of the lamp, use a 10mm socket to remove the two nuts and gently pull the lamp out the front of the bumper opening.

5. Using the OEM hardware, loosely install the bracket and pod in the fog pocket. Install the nuts hand-tight and do not snap the push rivets down as the pod will need to be removed to lock-in final aiming.

6. Plug the SS3 into the factory fog light harness using the included DT wire adapter. Test function. If the light does not turn on, try flipping the connector 180°.

7. Adjust and aim the fog light according to your local and state laws. In general, fog lamps should be angled slightly downwards to illuminate the area directly in front of the vehicle, below your headlamps.

When desired aiming is reached, gently remove the assembly to fully tighten the SS3 pod mounting hardware. Reinstall on the vehicle. Note that there is a slight gap between the bracket's bezel and bumper opening. Ensure the lamp is centered in the fog pocket with even gaps around the bezel.

8. Reinstall the splash guard using the OEM push rivets.

9. Repeat the steps on the other side of the vehicle to complete the installation.

NEED MORE HELP?

Scan the QR code to link to our YouTube Channel!

We continuously bring in vehicles to our testing garage in order to create step-by-step videos to walk you through the installation process on your specific vehicle. Scan the QR code to see all our installation videos. Be sure to subscribe to our channel to stay up-to-date on the newest products and videos from Diode Dynamics!

You 



This installation guide is for the following SKUs:

DD6635 Worklight SS3 Sport Type OB Kit White Driving

DD6636 Worklight SS3 Sport Type OB Kit White Fog

DD6637 Worklight SS3 Sport Type OB Kit Yellow Fog

DD6638 Worklight SS3 Pro Type OB Kit White Driving

DD6639 Worklight SS3 Pro Type OB Kit White Fog

DD6640 Worklight SS3 Pro Type OB Kit Yellow Fog