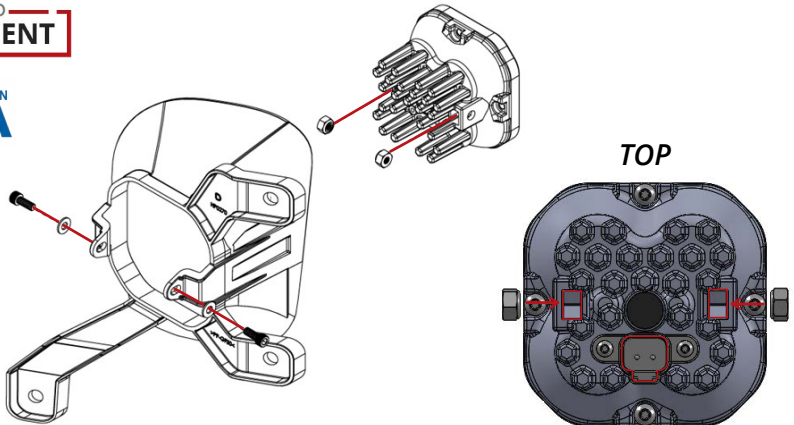




Thank you for your purchase of our new SS3 Ram Vertical Foglight Kit. CAD-designed to use existing mounting points, this kit is compatible with the 2013-2018 Ram 1500. Basic installation instructions are included below. **Please contact us if you have any questions.**

COMPUTER DESIGNED  
**OEM FITMENT**



*Driver/Left Side (opposite for passenger/right side)*

**BOTTOM**

1. Install the supplied nuts into the pod housing with the nylon facing inward. Attach the bracket to the pod using the supplied screws and washers. See diagrams above. The screws will also determine the aim of your SS3 pods. Ensure that the screws are tightened such that the pod retains its position, but can pivot with force for aiming.

*See back for further instructions.*



2. Access your factory fog lights and unplug the fog lamp connector. Use a 10mm socket and ratchet to remove the three bolts, as shown in the picture to the left. Remove the factory fog light housing. The factory bolts will be reused.



3. Install your assembled bracket and pod onto the vehicle by securing the three OEM bolts with a 10mm socket and ratchet.

4. Plug the SS3 into the factory fog light harness using the included DT wire adapter. Test function. If the light does not turn on, try flipping the connector 180°.

5. Adjust and aim the fog light according to your local and state laws. In general, fog lamps should be angled slightly downwards to illuminate the area directly in front of the vehicle, below your headlamps. When desired aiming is reached, tighten the SS3 pod mounting hardware.

6. Repeat the steps on the other side of the vehicle to complete the installation.

Please contact **Diode Dynamics** should you have any questions about the installation or wiring process, at **314-205-3033** (10a-5p CST) or **contact@diodedynamics.com**.

### **NEED MORE HELP?**

**Scan the QR code to link to our installation video online!**

We've taken the time to test our products on your vehicle. We can guarantee compatibility and fitment the first time – no guessing game! If you need more help with installation, watch our step-by-step video to walk you through the process.

YouTube



### **This installation guide is for the following SKUs:**

**DD6671** Worklight SS3 Sport Ram Vertical Kit White SAE Driving

**DD6672** Worklight SS3 Sport Ram Vertical Kit White SAE Fog

**DD6673** Worklight SS3 Sport Ram Vertical Kit Yellow SAE Fog

**DD6674** Worklight SS3 Pro Ram Vertical Kit White SAE Driving

**DD6675** Worklight SS3 Pro Ram Vertical Kit White SAE Fog

**DD6676** Worklight SS3 Pro Ram Vertical Kit Yellow SAE Fog

**DD6712** Worklight SS3 Max Ram Vertical Kit White SAE Fog

**DD6713** Worklight SS3 Max Ram Vertical Kit Yellow SAE Fog

**100% SATISFACTION  
GUARANTEE**

