

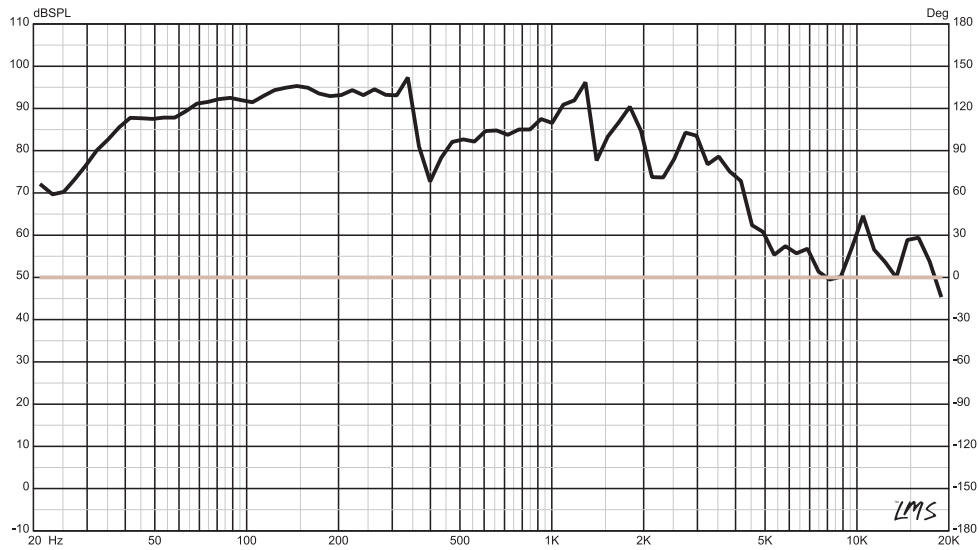


SRW12.4D

12" SHALLOW SUBWOOFER

220 Watts RMS Power
440 Watts Max Power
Dual 4+4 OHMS
2" BASV 4 Layer Voice Coil
Red Steel Basket
Ferrite High Strength Magnet
Rubber Edge and Paper Cone
Sensitivity: 88 dB
Frequency Response: 40 - 3.5 KHz

SPL vs Freq



#WELIKEITLOUD

DS18.COM



OWNER'S MANUAL

SRW12.4D

SHALLOW SUBWOOFER

12"

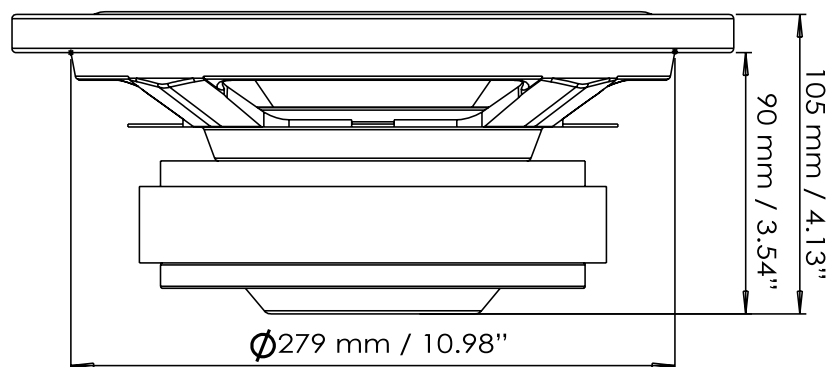
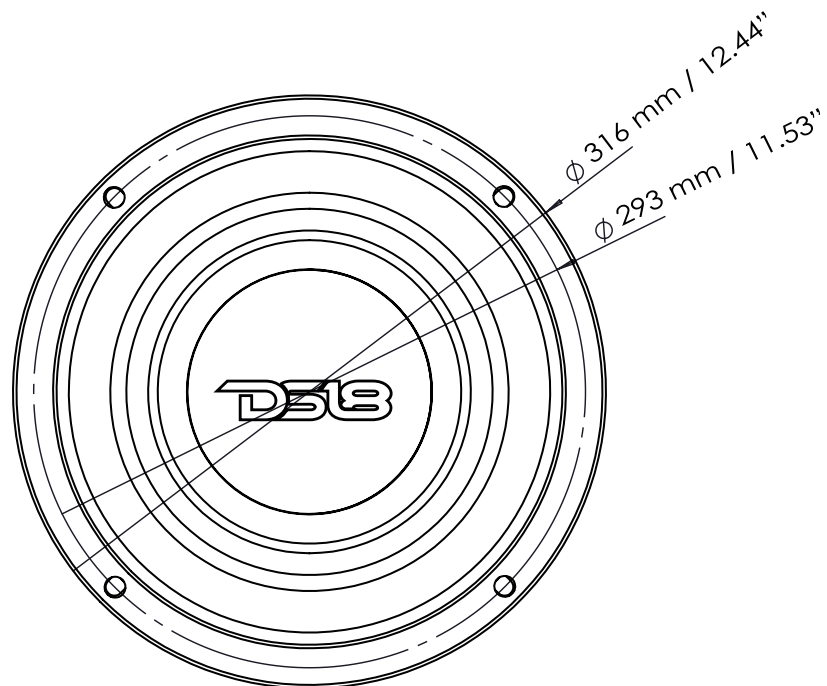


DUAL 4+4 OHM



SRW12.40

12" SHALLOW SUBWOOFER



SRW12.40

12" SHALLOW SUBWOOFER

SPECIFICATIONS

Nominal Diameter	12"
Nominal Impedance	4 + 4 OHMS
RMS Power Handling	220 watts
Maximum Power Handling	440 watts
Sensitivity (1w/1m)	88 dB
Frequency Response	40-3.5 khz
Recommended Lo Pass Crossover	80Hz
Voice Coil Diameter	50.8mm 2"
Voice Coil Former Material	Aluminum
Winding Material	SV
Basket Material	Steel Basket
Frame Material	Steel Basket
Magnet Weight	Ferrite 45 oz

THIELE & SMALL PARAMETERS

Equilant Volume	Vas	26.586 L
Excursion	Xmax	15 mm
Free Air Resonance	Fs	54.6 Hz
Mechanical Factor	Qms	4.235
Electrical Factor	Qes	1.234
Total Factor	Qts	0.956
Cone Area	Sd	530.93 cm ²
Mechanical Mass	Mms	127.67g
BI Factor	BI	15.60
Dc Resistance	Re	3.4 + 3.4 OHMS
Inductance	Le	1.582 mH
Mechanical Mass Without Air	Mmd	113.85g
Mechanical Compliance	Cms	0.067 mm/N

MEASUREMENTS

Overall Diameter	316mm / 12.44"
Front Mount Baffle Cutout	279mm / 10.98"
Over Depth	105mm / 4.13"
Mounting Depth	90mm / 3.54"