

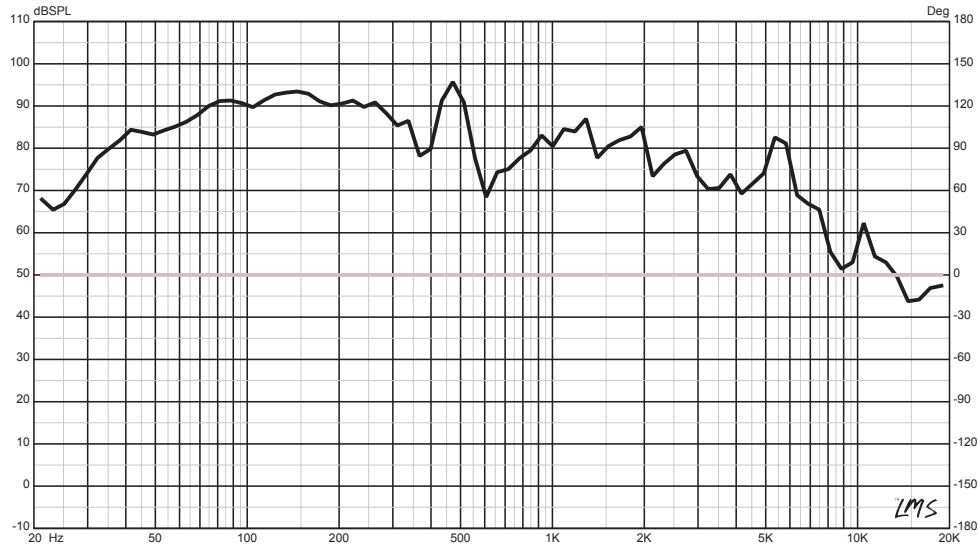


SRW10.4D

10" SHALLOW SUBWOOFER

200 Watts RMS Power
400 Watts Max Power
Dual 4+4 OHMS
2" BASV 4 Layer Voice Coil
Red Steel Basket
Ferrite High Strength Magnet
Rubber Edge and Paper Cone
Sensitivity: 90 dB
Frequency Response: 42 - 4.2 KHz

SPL vs Freq



#WELIKEITLOUD

DS18.COM    



OWNER'S MANUAL

SRW10.4D

SHALLOW SUBWOOFER

10"



4
DUAL 4 OHM

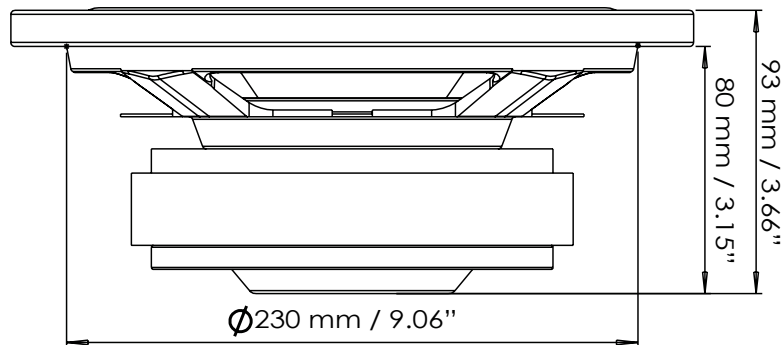
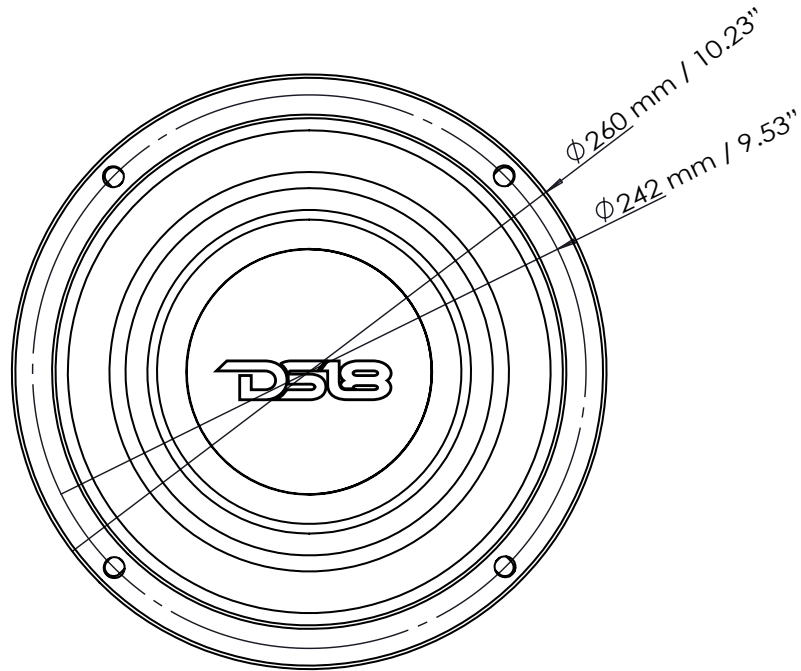
2" VC

200W RMS

400W MAX

DS18[®]

SRW10.4D **10" SHALLOW SUBWOOFER**



SRW10.4D **10" SHALLOW SUBWOOFER**

SPECIFICATIONS

Nominal Diameter	10"
Nominal Impedance	4 +4 OHMS
RMS Power Handling	200 watts
Maximum Power Handling	400 watts
Sensitivity (1w/1m)	90 dB
Frequency Response	42-4.2kHz
Recommended Lo Pass Crossover	80 Hz
Voice Coil Diameter	50.8mm / 2"
Voice Coil Former Material	Aluminum
Winding Material	SV
Basket Material	Steel Basket
Frame Material	Steel Basket
Magnet Weight	Ferrite 45 oz

THIELE & SMALL PARAMETERS

Equilant Volume	Vas	17.36 L
Excursion	Xmax	15mm
Free Air Resonance	Fs	42 Hz
Mechanical Factor	Qms	5.91
Electrical Factor	Qes	0.806
Total Factor	Qts	0.689
Cone Area	Sd	368.15 cm ²
Mechanical Mass	Mms	123.94g
BI Factor	BI	12.14
Dc Resistance	Re	3.4+3.4 OHMS
Inductance	Le	0.85 mH
Mechanical Mass Without Air	Mmd	108.38g
Mechanical Compliance	Cms	0.03 mm/N

MEASUREMENTS

Overall Diameter	260mm / 10.23"
Front Mount Baffle Cutout	232mm / 9.13"
Over Depth	93mm / 3.66"
Mounting Depth	80mm / 3.15"

WE LIKE IT LOUD    