

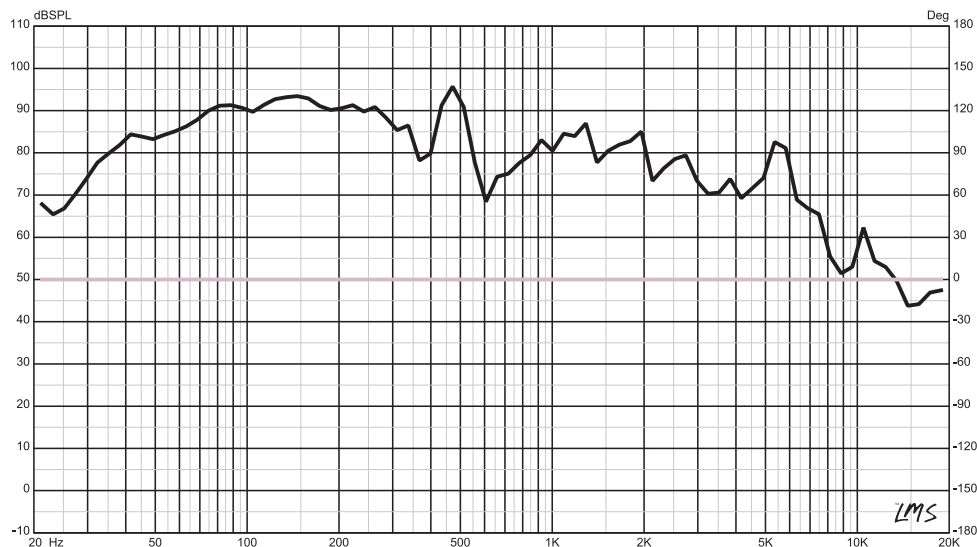


SRW10.4

10" SHALLOW SUBWOOFER

200 Watts RMS Power
400 Watts Max Power
Nominal Impedance 4 OHMS
2" BASV 4 Layer Voice Coil
Red Steel Basket
Ferrite High Strength Magnet
Rubber Edge and Paper Cone
Sensitivity: 89 dB
Frequency Response: 41 - 4.2 KHz

SPL vs Freq



#WELIKEITLOUD

DS18.COM    



OWNER'S MANUAL

SRW10.4

SHALLOW SUBWOOFER

10"



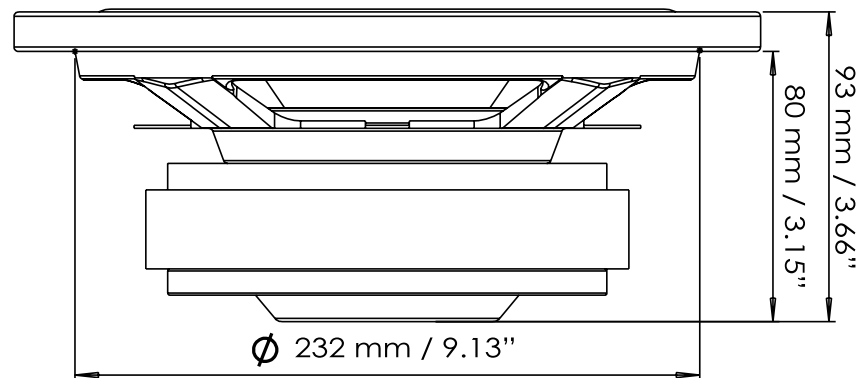
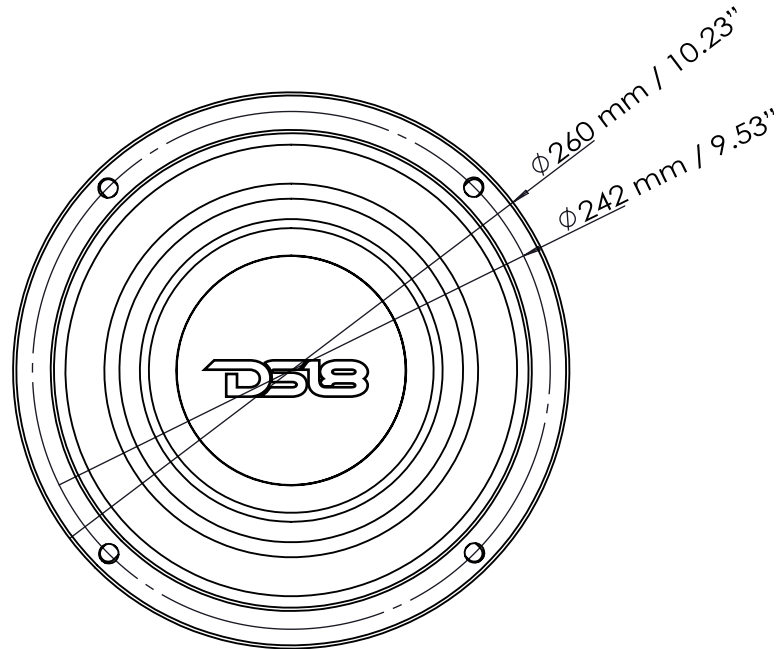
4 OHM

2" VC
200W RMS
400W MAX



SRW10.4

10" SHALLOW SUBWOOFER



SRW10.4

10" SHALLOW SUBWOOFER

SPECIFICATIONS

Nominal Diameter	10"
Nominal Impedance	4 OHMS
RMS Power Handling	200 WATTS
Maximum Power Handling	400 WATTS
Sensitivity (1w/1m)	89 dB
Frequency Response	41-4.2khz
Recommended Lo Pass Crossover	80 Hz
Voice Coil Diameter	50.8 mm / 2"
Voice Coil Former Material	Aluminum
Winding Material	SV
Basket Material	Steel Basket
Frame Material	Steel Basket
Magnet Weight	Ferrite 45 oz

THIELE & SMALL PARAMETERS

Equilant Volume	Vas	18.26 L
Excursion	Xmax	15 mm
Free Air Resonance	Fs	41 Hz
Mechanical Factor	Qms	5.318
Electrical Factor	Qes	0.894
Total Factor	Qts	0.714
Cone Area	Sd	368.15 cm ²
Mechanical Mass	Mms	131.624g
BI Factor	Bl	11.42
Dc Resistance	Re	3.4 OHMS
Inductance	Le	0.98 mH
Mechanical Mass Without Air	Mmd	113.45g
Mechanical Compliance	Cms	0.032 mm/N

MEASUREMENTS

Overall Diameter	260mm / 10.23"
Front Mount Baffle Cutout	232mm / 9.13"
Over Depth	93mm / 3.66"
Mounting Depth	80mm / 3.15"