

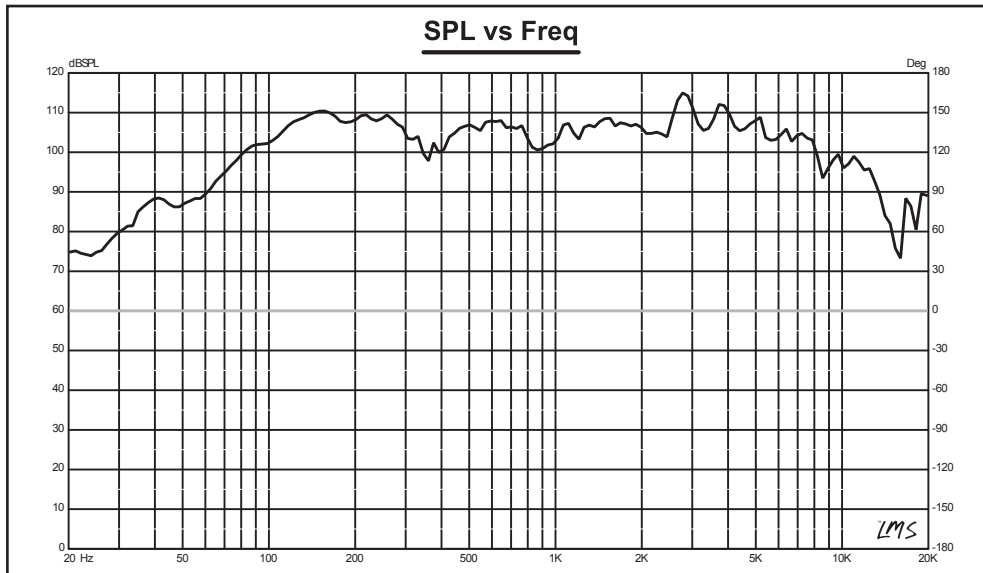
DS18[®]

PRO

PRO-X813M

8" MIDRANGE LOUDSPEAKER
WITH BULLET

MAX Power Handling: 550 Watts
RMS Power Handling: 2750 Watts
Frequency Response: 100Hz-16KHz
Nominal Impedance: 8 ohms
Mounting Depth: 79 mm (3.11")
Sensitivity (1W/1M): 97dB
Magnet Material: Ferrite
Magnet Weight: 30 oz
Voice Coil Material: Kapton
Voice Coil Diameter: 1.5" (38.1 mm)



DS18[®]

PRO

8"

MIDRANGE LOUDSPEAKER
WITH BULLET

PRO-X813M



550W MAX

275W RMS

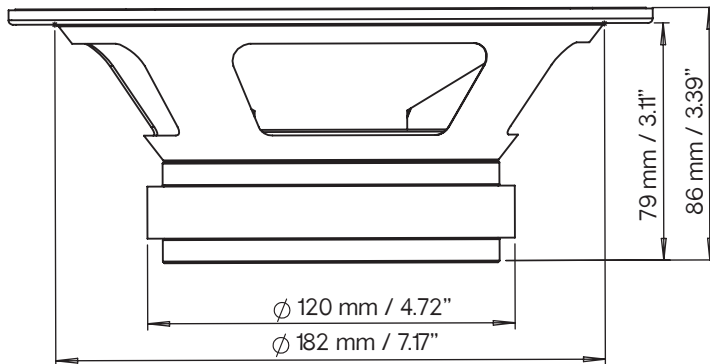
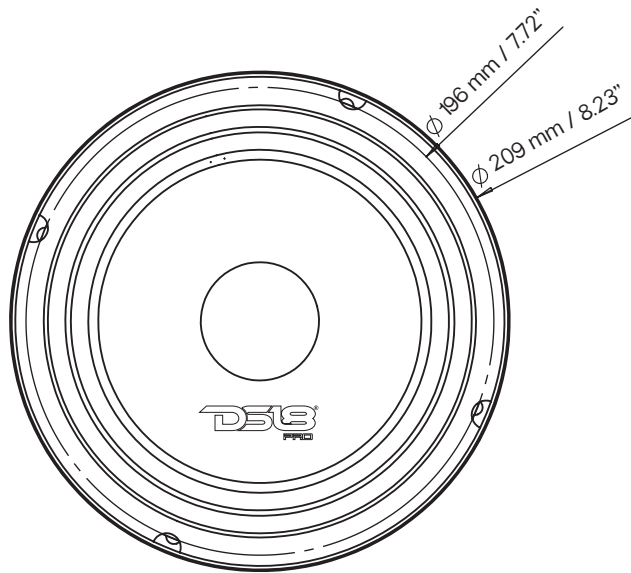
8 OHMS

OWNER'S MANUAL



PRO-X818M

8" MIDRANGE LOUDSPEAKER WITH BULLET



DS18.COM



PRO-X818M 8" MIDRANGE LOUD SPEAKER WITH BULLET

Specifications:

Nominal Diameter	8" (203.2 mm)
Nominal Impedance	8 ohms
RMS Power Handling	275 WATTS
Maximum Power Handling	550 WATTS
Sensitivity (1w/1m)	97dB
Frequency Response	100Hz-16KHz
Recommended Hi Pass Crossover	120 Hz

Midrange:

Voice Coil Diameter	1.5" (38.1 mm)
Voice Coil Former Material	Kapton
Winding Material	CCAW
Basket Material	Steel
Magnet Weight	30 oz

Thiele & Small Parameters:

Equivalent Volume	Vas	21.66 LTR
Excursion	Xmax	9.3 mm
Free Air Resonance	Fs	100 Hz
Mechanical Factor	Qms	13.017
Electrical Factor	Qes	0.679
Total Factor	Qts	0.645
Dc Resistance	Re	5.2 ohms

Measurements:

Overall Diameter	209 mm (8.22")
Front Mount Baffle Cutout	182 mm (7.16")
Mounting Depth	79 mm (3.1")
Overall Depth	86 mm (3.38")

WeLikeItLoud

