

# DS18<sup>®</sup>

---

## PRO

### PRO-X8.4BMPK

MID AND HIGH COMPLETE PACKAGE



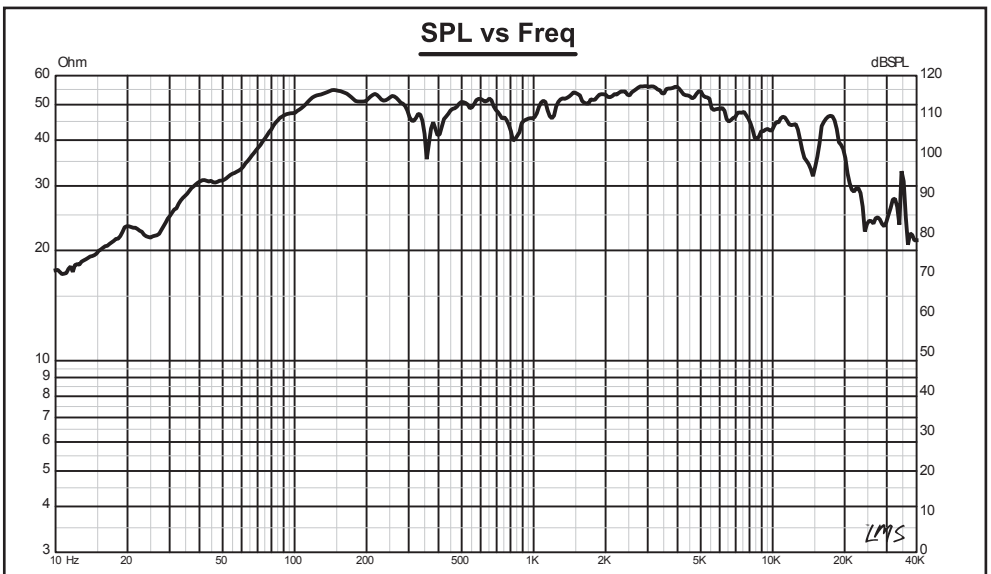
## OWNER'S MANUAL

#WELIKEITLOUD    

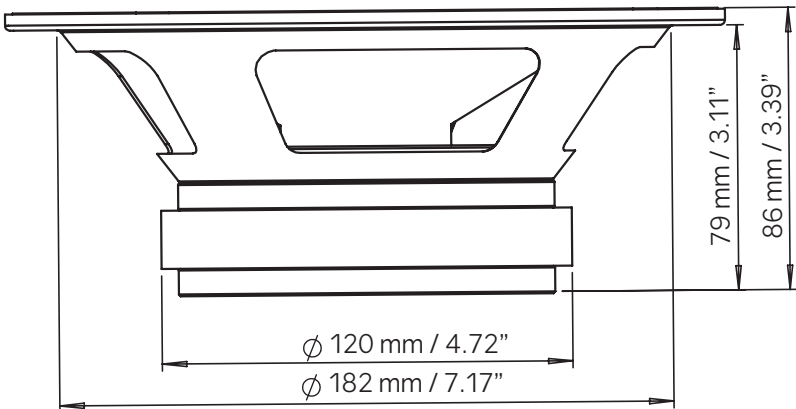
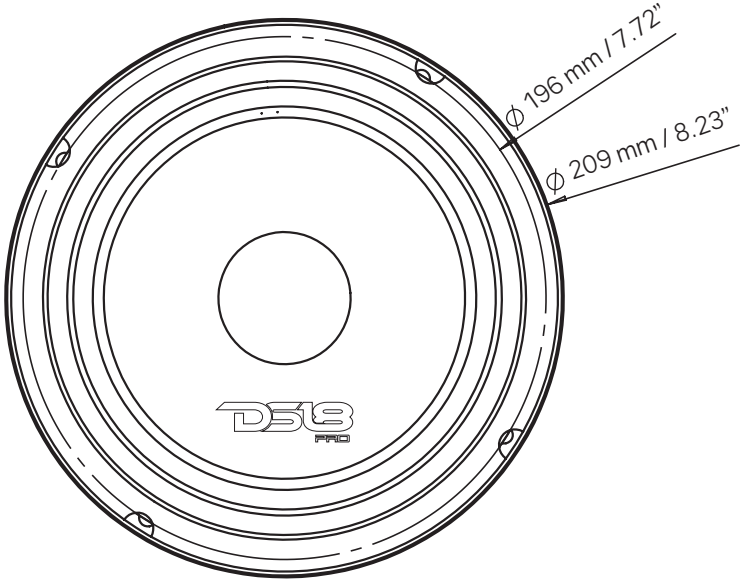
# PRO-X8.43M

**8"** MIDRANGE LOUDSPEAKER  
WITH BULLET

MAX Power Handling: 550 Watts  
RMS Power Handling: 275 Watts  
Frequency Response: 93Hz - 16KHz  
Nominal Impedance: 4 ohms  
Mounting Depth: 79 mm (3.11")  
Sensitivity (1W/1M): 99dB  
Magnet Material: Ferrite  
Magnet Weight: 30 oz  
Voice Coil Material: Kapton  
Voice Coil Diameter: 1.5" (38.1 mm)



# PRO-X8.43M



# PRO-X8.4BM

## Data Sheet

### Specifications:

Nominal Diameter.....	8" (203.2 mm)
Nominal Impedance.....	4 ohms
RMS Power Handling .....	275 WATTS
Maximum Power Handling.....	550 WATTS
Sensitivity (1w/1m).....	99dB
Frequency Response .....	93Hz-16KHz
Recommended Hi Pass Crossover.....	100 Hz

### Midrange:

Voice Coil Diameter.....	1.5" (38.1 mm)
Voice Coil Former Material.....	Kapton
Winding Material.....	CCAW
Basket Material.....	Steel
Magnet Weight.....	30 oz

### Thiele & Small Parameters:

Equivalent Volume	Vas .....	26.60 LTR
Excursion	Xmax .....	9.3 mm
Free Air Resonance	Fs .....	93 Hz
Mechanical Factor	Qms .....	9.275
Electrical Factor	Qes .....	0.589
Total Factor	Qts .....	0.552
Dc Resistance	Re .....	3.2 ohms

### Measurements:

Overall Diameter.....	209 mm (8.22")
Front Mount Baffle Cutout .....	182 mm (7.16")
Mounting Depth.....	79 mm (3.11")
Overall Depth.....	86 mm (3.38")

# PRO-TW220

1" VC Super Tweeter with Bullet

RMS Power Handling: 225 Watts

MAX Power Handling: 350 Watts

Sensitivity (1W/1M): 106 dB

Frequency Range: 2 KHz - 20 KHz

Diaphragm Material: Aluminum

Voice Coil Diameter: 1" (25.4 mm)

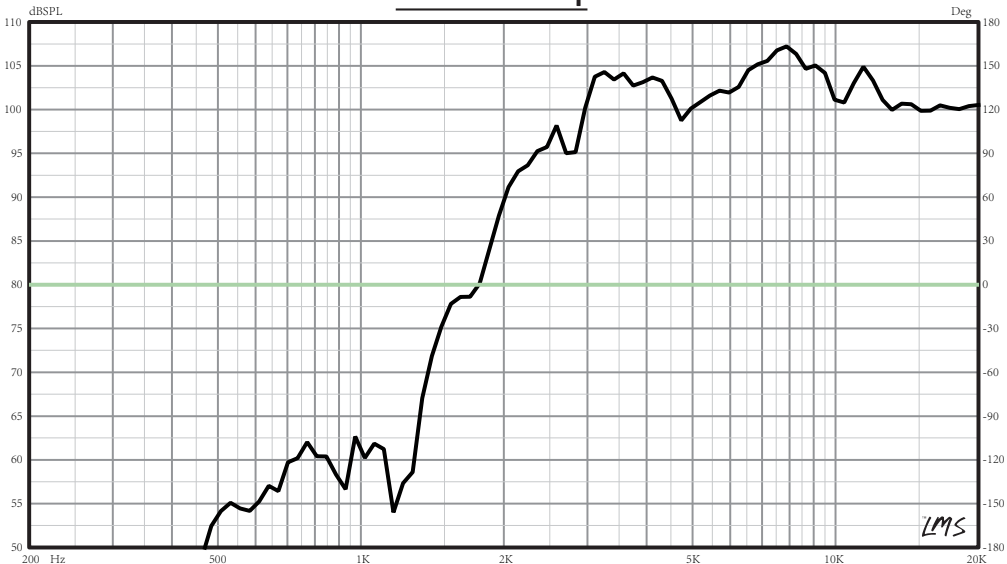
Nominal Impedance: 4 ohm

Frame Material: Die Cast Aluminum

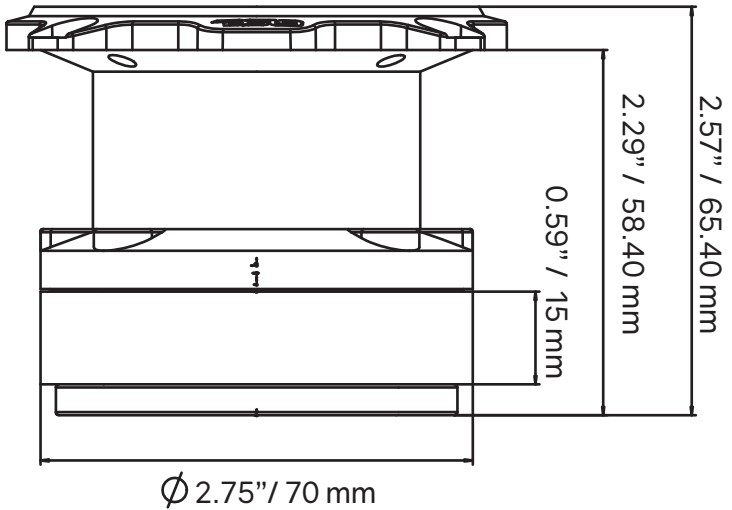
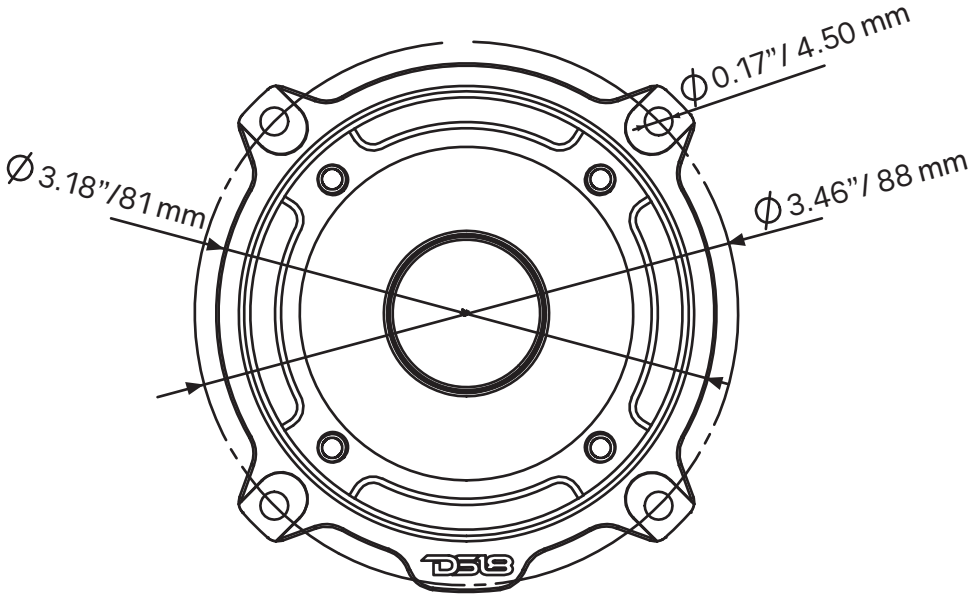
Magnet Material: Ferrite

Magnet Weight: 8 oz

SPL vs Freq



# PRO-TW220





# PRO-TW220

## Data Sheet

### Specifications

Nominal Impedance .....	4 ohms
RMS Power Handling .....	225 Watts
MAX Power Handling .....	350 Watts
Sensitivity (1w/1m) .....	106 dB
Frequency Response .....	2 K-20 KHz
Recommended Hi Pass Crossover .....	3 KHz
Voice Coil Diameter .....	1" (25.4 mm)
Winding Material .....	CCAW
Diaphragm Material .....	Aluminum
Frame Material .....	Aluminum
Basket Material .....	Aluminum
Magnet Material .....	Ferrite
Magnet Weight .....	8 oz

### Measurements

Overall Depth .....	2.57" (65.4 mm)
Mounting Depth .....	2.29" (58.4 mm)
Overall Width .....	3.18" (81 mm)
Cutout Diameter .....	2.75" (70.0 mm)

### Shipping Info

Gross Single Unit Weight .....	0.54Kg
Single Unit Box Dimensions W x L x H .....	20 x 9.30 x 7.2 cm / 1 Pair
Quantity of Units in Master Carton .....	18 PCS / CTN
Gross Master Carton Weight .....	11.7 KG
Master Carton Dimensions W x L x H .....	20.2 x 31 x 22.3 cm

# DS18<sup>®</sup>

---

## PRO

### PRO-X8.43MPK

MID AND HIGH COMPLETE PACKAGE

### OWNER'S MANUAL



#WELIKEITLOUD    

DS18.COM