

DS18[®]

PRO

PRO-X5.4M

5.25" MIDRANGE
LOUDSPEAKER

MAX Power Handling: 300 Watts

RMS Power Handling: 150 Watts

Frequency Response: 200Hz-16KHz

Voice Coil Diameter: 1.2" (30.5 mm)

Voice Coil Material: Kapton

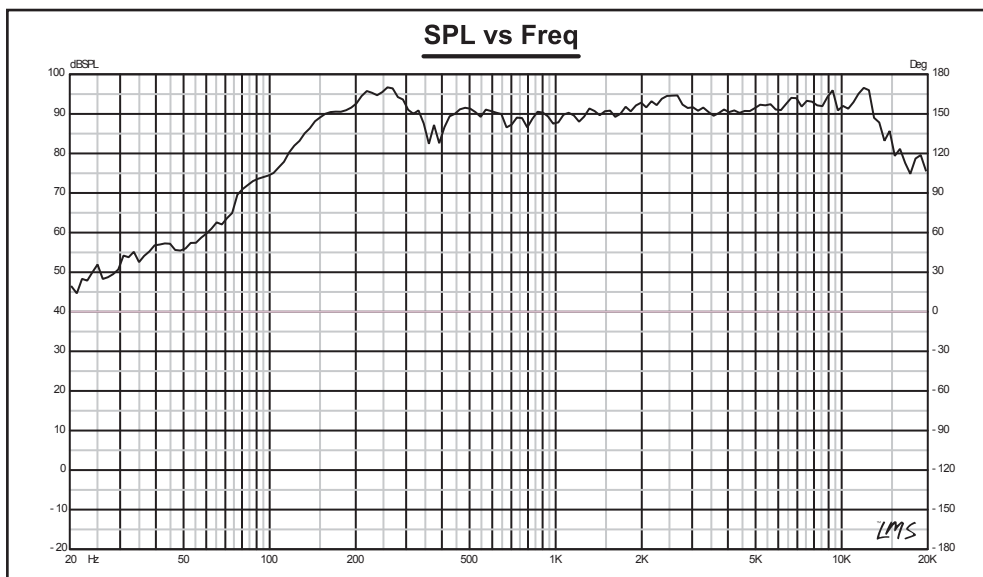
Nominal Impedance: 4 OHM

Sensitivity (1W/1M): 93dB

Magnet Weight: 18.5 oz

Magnet Material: Ferrite

Mounting Depth: 2.67"/ 68mm



DS18[®]

PRO

5.25"
MIDRANGE
LOUDSPEAKER

PRO-X**5.4M**



300W MAX

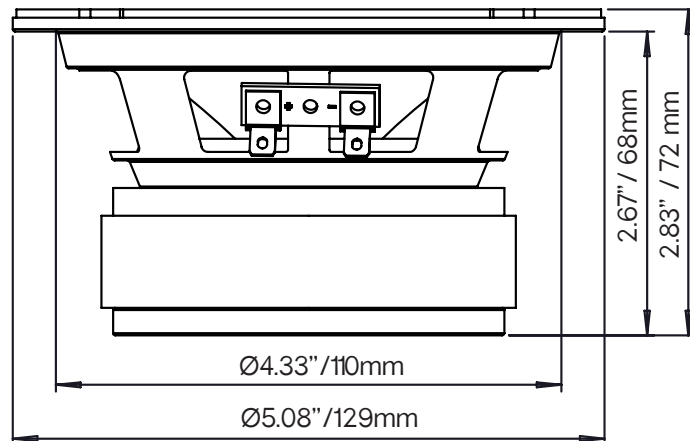
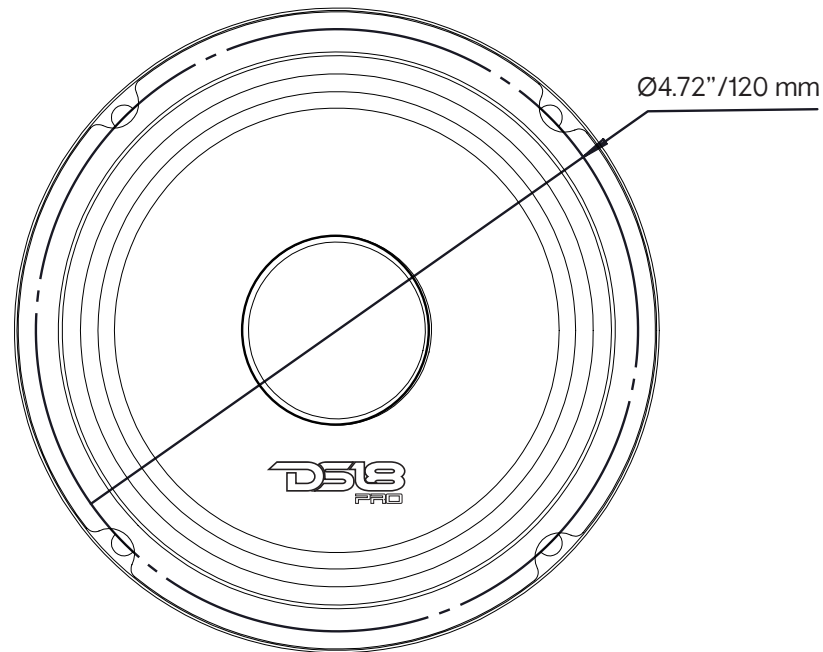
150W RMS

4 OHMS

OWNER'S MANUAL

PRO-X5.4M

5.25" MIDRANGE LOUDSPEAKER



DS18.COM

Data Sheet

PRO-X5.4M 5.25" MIDRANGE LOUDSPEAKER

Specifications:

Nominal Diameter	5.25"/133.3mm
Nominal Impedance	4 ohms
MAX Power Handling	300 Watts
RMS Power Handling	150 Watts
Sensitivity (1w/1m)	93dB
Frequency Response	200Hz-16KHz
Recommended Hi Pass Crossover	250 Hz

Midrange:

Voice Coil Diameter	1.2"/30.5 mm
Voice Coil Former Material	Kapton
Winding Material	CCAW
Cone Material	Paper
Surround Material	Cloth
Basket Material	Steel
Magnet Material	Ferrite
Magnet Weight	18.5 oz
Displacement	0.007L

Thiele & Small Parameters:

Equivalent Volume	Vas	0.827 LTR
Excursion	Xmax	6.7 mm
Free Air Resonance	Fs	240 Hz
Mechanical Factor	Qms	6.382
Electrical Factor	Qes	1.625
Total Factor	Qts	1.326
Dc Resistance	Re	3.2 ohms

Measurements:

Overall Diameter	5.08"/129 mm
Front Mount Baffle Cutout	4.33"/110 mm
Mounting Depth	2.67"/68 mm
Overall Depth	2.83"/72mm

WeLikeItLoud

