

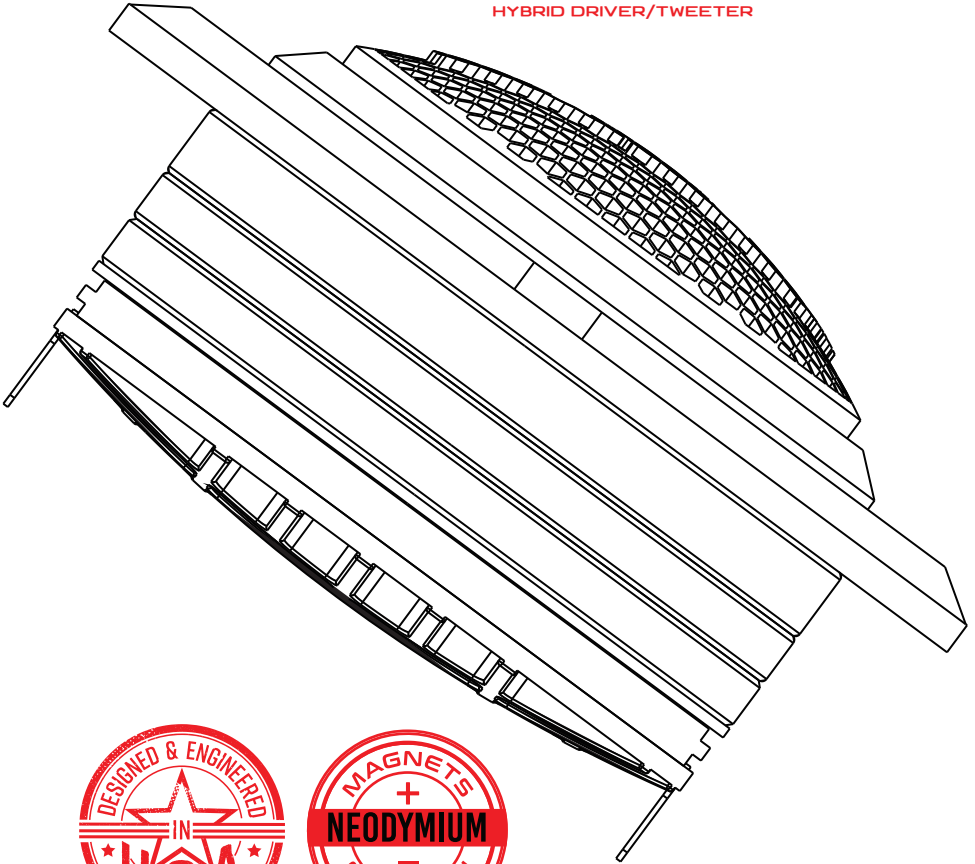


# DS18<sup>®</sup>

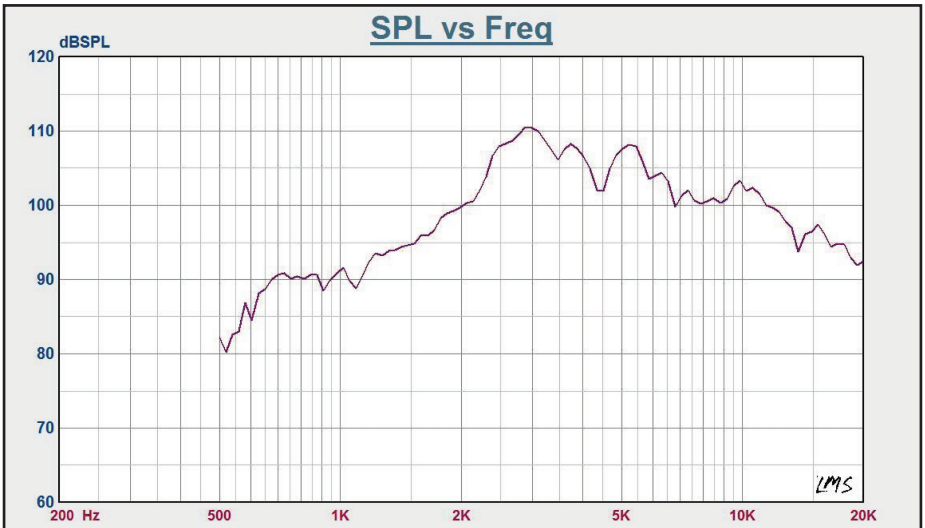
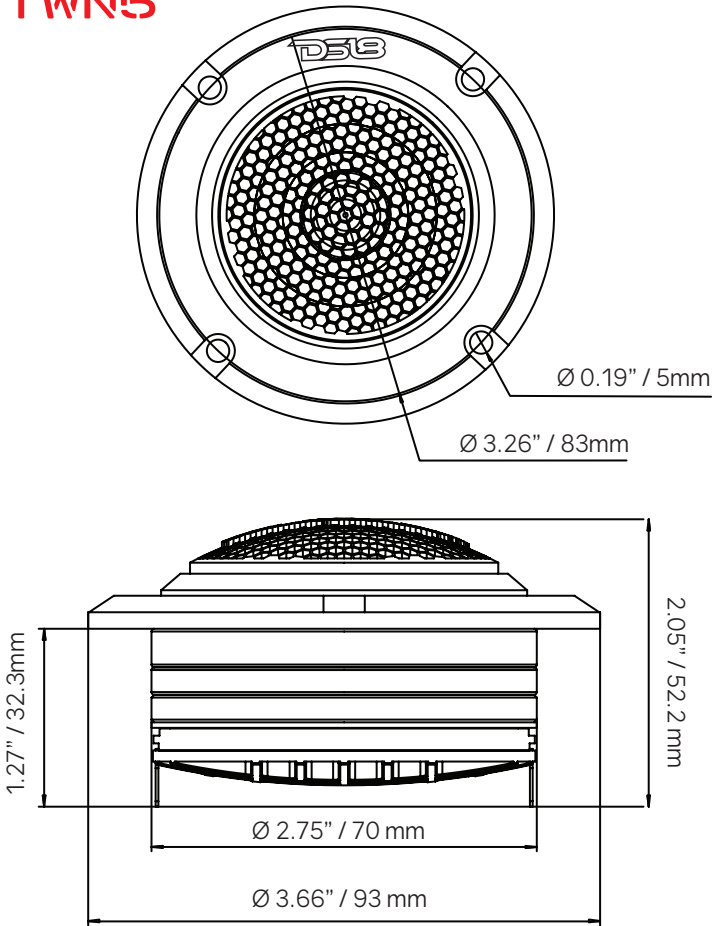
PRO

## OWNER'S MANUAL PRO-TWN5

1.5" VC PEN HIGH COMPRESSION NEODYMIUM  
HYBRID DRIVER/TWEETER



# PRO-TWN5





**SPECIFICATIONS:**

Nominal Diameter .....	3.64"
Nominal Impedance .....	4 ohms
Peak Power Handling .....	400 Watts
Program Power Handling .....	200 Watts
AES Power Handling .....	100 Watts
Sensitivity (1W/1W) .....	107dB
Frequency Response .....	1.5KHz-20KHz
Recommended Hi Pass Crossover .....	2KHz

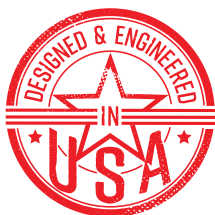
**MOTOR**

Voice Coil Diameter .....	1.5" / 37.8mm
Voice Coil Former Material .....	KSV
Winding Material .....	CCAR
Diaphragm Material .....	PEN
Magnet Material .....	Neodymium
Magnet Size .....	2.75" x 0.2"
Body Material .....	CNC Aluminum
Bullet Material .....	Aluminum

**MEASUREMENT**

Overall Diameter .....	3.66" / 93mm
Overall Depth .....	2.05" / 52.2mm
Front Mount Baffle Cutout .....	2.75" / 70mm
Mounting Depth .....	1.27" / 32.3mm

**PRO-TWNS**



FOR MORE INFORMATION  
PLEASE VISIT  
[DS18.COM](http://DS18.COM)

*WE LIKE IT LOUD*



**DS18**<sup>®</sup>  
PRO