



PRO - TWN1

- Peak Power Handling: 240 Watts
- Program Power Handling: 120 Watts
- AES Rated Power Handling: 60 Watts
- Nominal Impedance: 4 ohms
- Sensitivity (1W/1M): 104 dB
- Frequency Range: 3 KHz - 20 KHz
- Diaphragm Material: Titanium
- Voice Coil Diameter: 1" (25.4 mm)
- Frame Material: Die Cast Aluminum
- Magnet Material: Neodymium



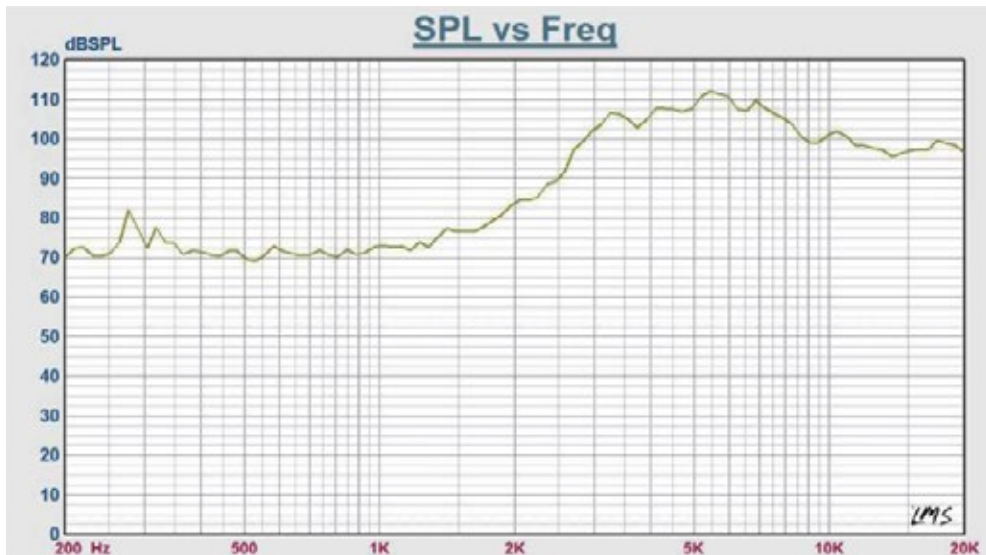
4OHM



PRO-TWN1

1" VC SUPER BULLET TWEETER

OWNER'S MANUAL



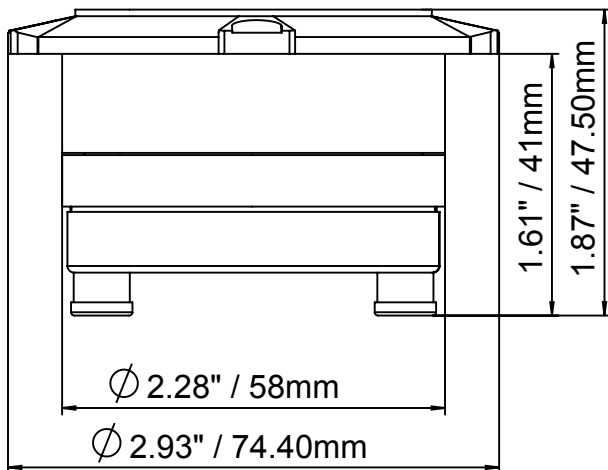
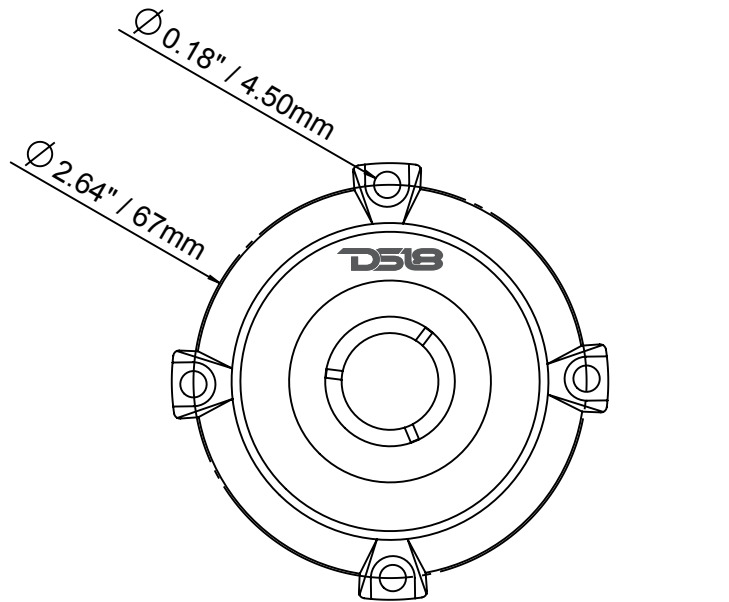
#WELIKEITLOUD DS18.COM

#WELIKEITLOUD



PRO-TWN1

1" VC SUPER BULLET TWEETER



PRO-TWN1 1" SUPER BULLET TWEETER

Data Sheet

Specifications

Peak Power Handling	240Watts
Program Power Handling	120 Watts
AES Rating Power handling	60 Watts
Nominal Impedance	4 ohms
Sensitivity (1w/1m)	104 dB
Frequency Response	3 K-20 KHz
Recommended Hi Pass Crossover	3 KHz
Voice Coil Diameter	1" (25.4 mm)
Winding Material	KSV
Diaphragm Material	Titanium
Frame Material	Aluminum
Magnet Material	Neodymium

Measurements

Overall Depth	1.87" (47.5 mm)
Mounting Depth	1.61" (41 mm)
Overall Width	2.93" (74.4mm)
Cutout Diameter	2.28" (58 mm)

#WELIKETLOUD    

