

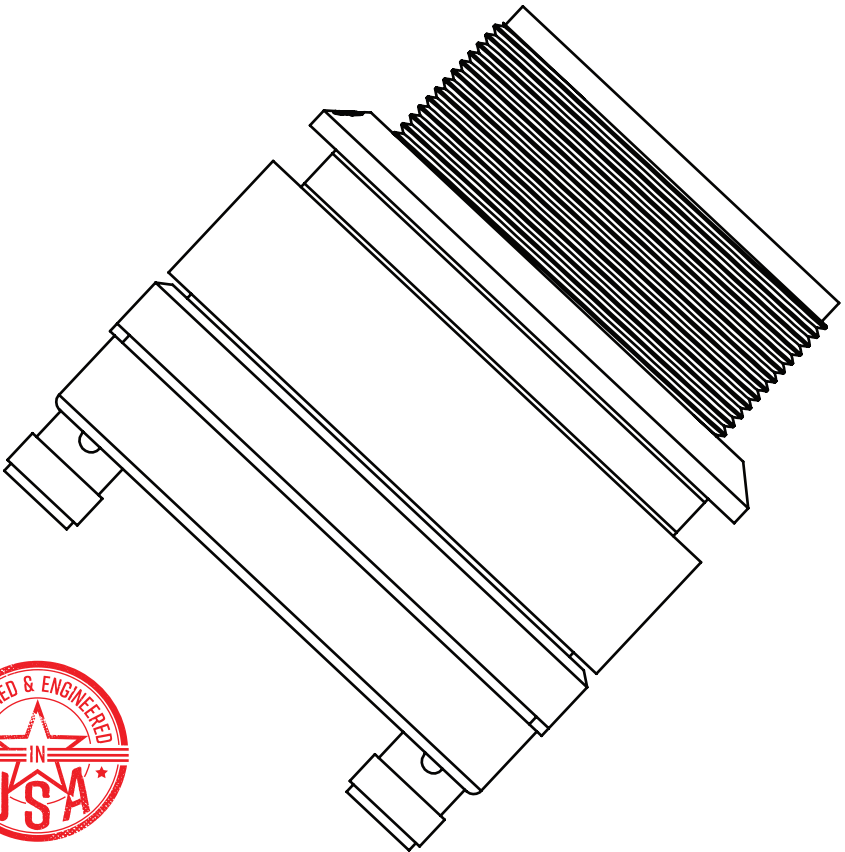


DS18[®]

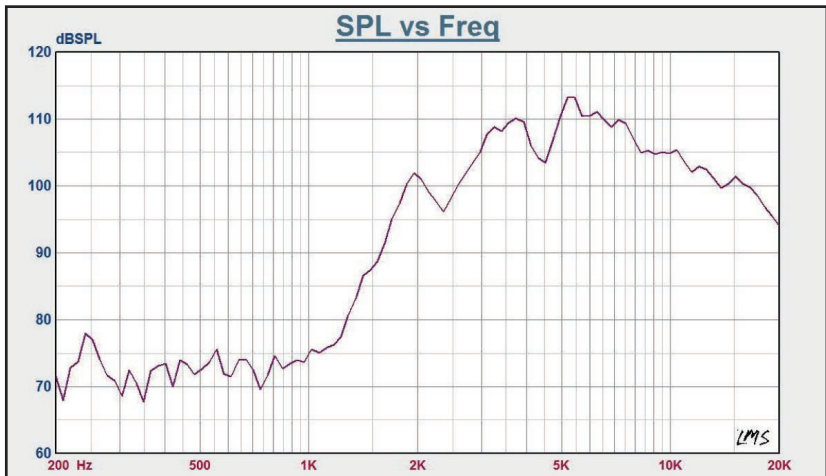
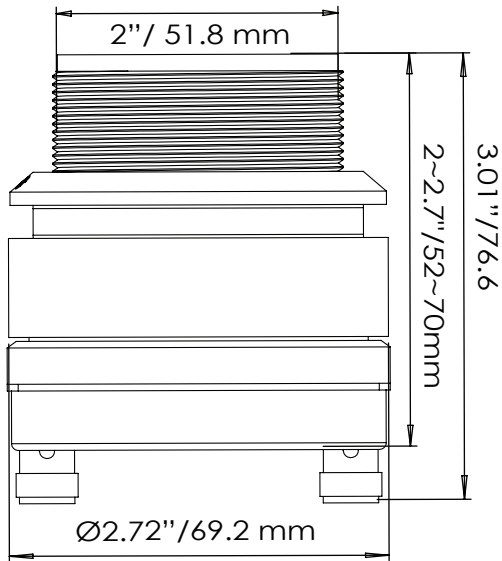
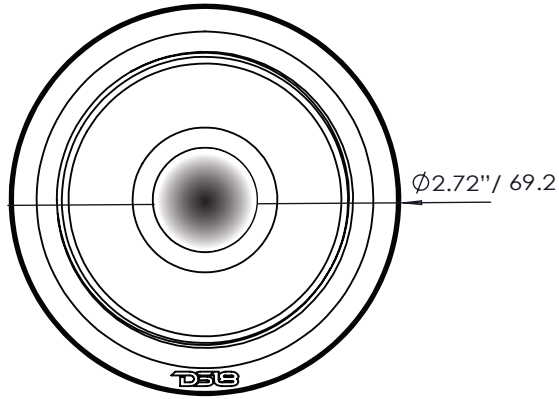
PRO

OWNER'S MANUAL PRO-TW920

1.4" VC ALUMINUM HIGH
COMPRESSION NEODYMIUM
SUPER BULLET TWEETER



PRO-TW920





SPECIFICATIONS:

Nominal Diameter	2"
Nominal Impedance	4 ohms
Peak Power Handling	320 Watts
Program Power Handling	160 Watts
AES Power Handling	80 Watts
Sensitivity (1W/1W)	106dB
Frequency Response	2KHz-20KHz
Recommended Hi Pass Crossover	3KHz

MOTOR

Voice Coil Diameter	1.4"
Voice Coil Former Material	KSV
Winding Material	CCAR
Diaphragm Material	Titanium
Magnet Material	Neodymium
Magnet Size	1.38" x 0.27"
Body Material	Aluminum
Bullet Material	CNC Aluminum

MEASUREMENT

Overall Diameter	2.72" / 69.2 mm
Overall Depth	3.01" / 76.6
Front Mount Baffle Cutout	2" / 51.8 mm
Mounting Depth	2~2.7" / 52~70mm

PRO-TW920



FOR MORE INFORMATION
PLEASE VISIT
DS18.COM

WE LIKE IT LOUD



DS18[®]
PRO

The logo consists of the text "DS18" in a large, bold, stylized font with a horizontal line through the middle of the letters. Below it, the word "PRO" is written in a smaller, simpler font. A registered trademark symbol (®) is located at the top right of the "DS18" text.