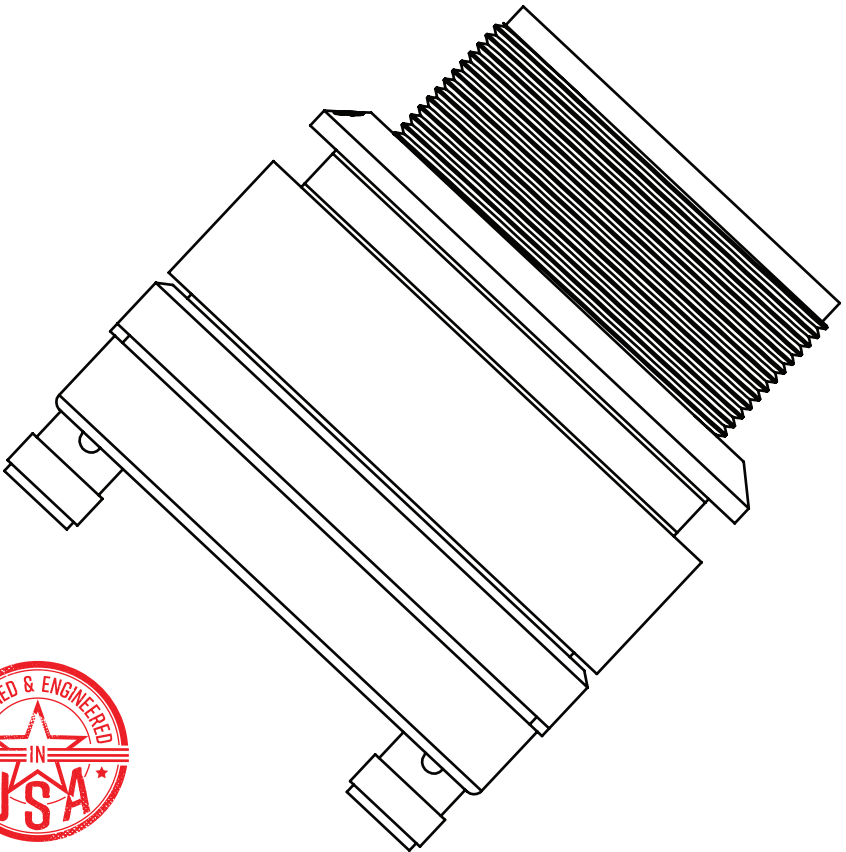




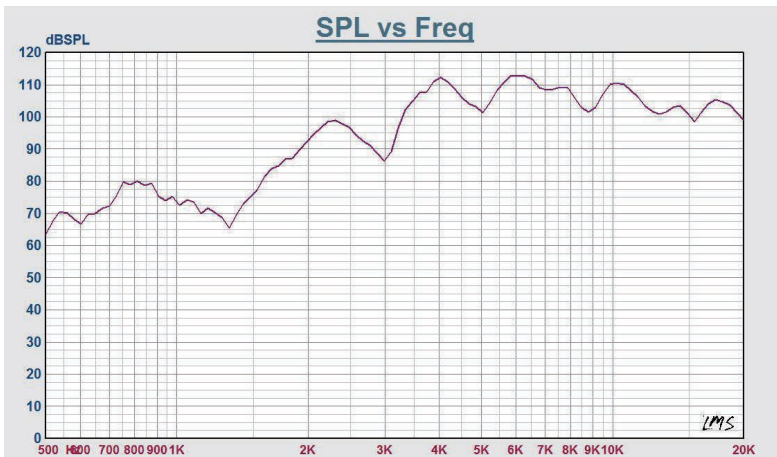
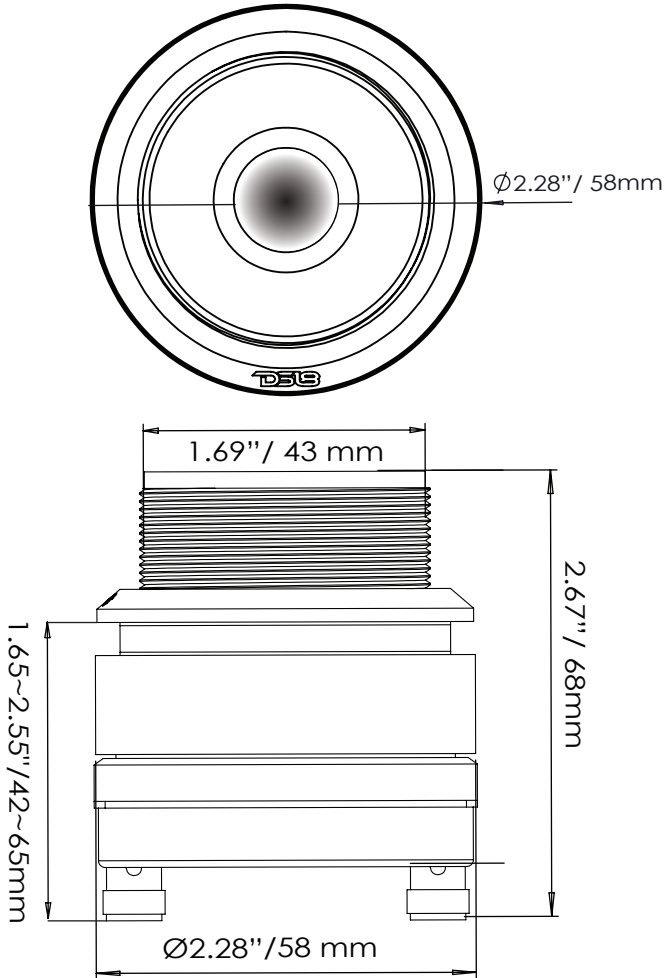
DS18[®]
PRO

**OWNER'S MANUAL
PRO-TW820**

**1" VC ALUMINUM HIGH
COMPRESSION NEODYMIUM
SUPER BULLET TWEETER**



PRO-TW820





SPECIFICATIONS:

Nominal Diameter	1.7"
Nominal Impedance	4 ohms
Peak Power Handling	200 Watts
Program Power Handling	100 Watts
AES Power Handling	50 Watts
Sensitivity (1W/1W)	105dB
Frequency Response	2KHz-20KHz
Recommended Hi Pass Crossover	3KHz

MOTOR

Voice Coil Diameter	1"
Voice Coil Former Material	KAPTON
Diaphragm Material	Titanium
Magnet Material	Neodymium
Body Material	Aluminum

MEASUREMENT

Overall Diameter	2.28" / 58mm
Overall Depth	2.67" / 68mm
Front Mount Baffle Cutout	1.69" / 43mm
Mounting Depth	1.65~2.55" / 42~65mm

PRO-TW820



FOR MORE INFORMATION
PLEASE VISIT
DS18.COM

WE LIKE IT LOUD



DS18[®]
PRO