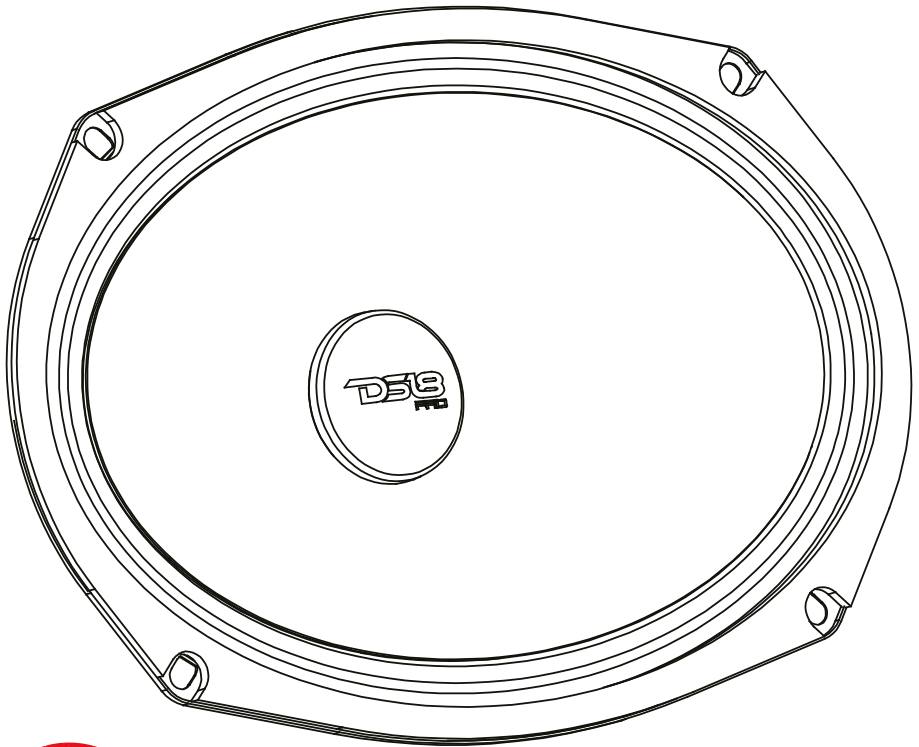
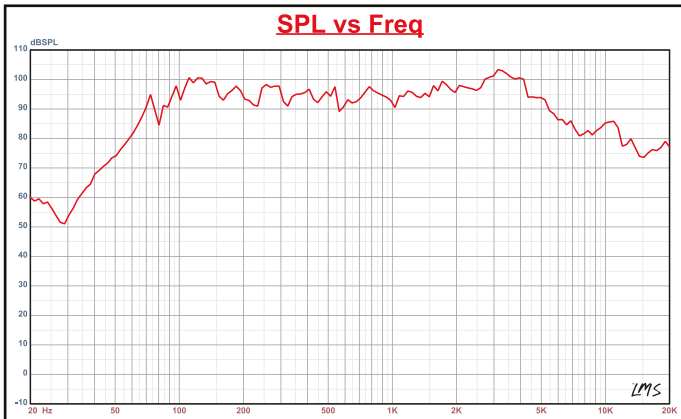
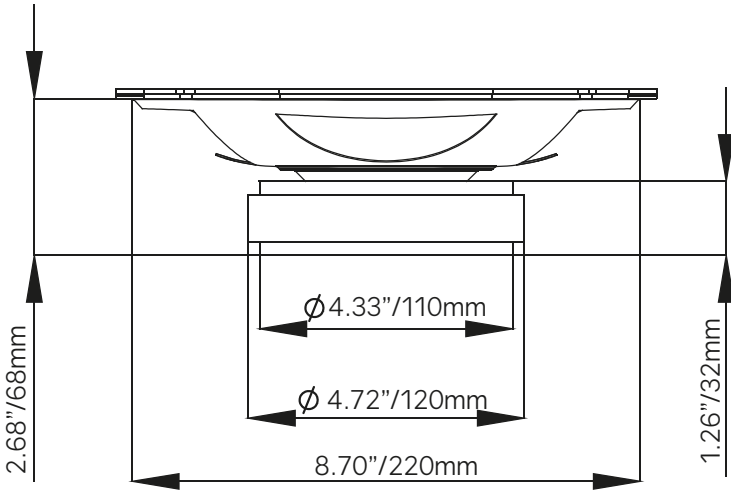
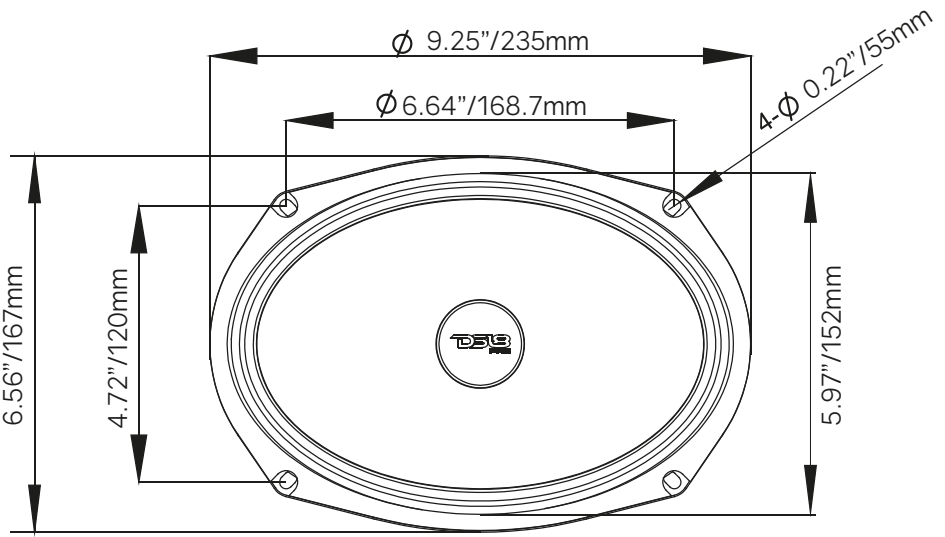


**DS18**<sup>®</sup>  
**PRO**

**OWNER'S MANUAL**  
**PRO-SM69.2**  
**6X9" SHALLOW WATER RESISTANT**  
**CONE MID-RANGE LOUDSPEAKER**



# PRO-SM69.2





### Specifications

Nominal Diameter.....	6x9"
Nominal Impedance .....	2 OHMS
RMS Power Handling .....	250w
MAX Power Handling .....	500w
Sensitivity (1w/1m) .....	94dB
Frequency Response.....	100Hz-5KHz
Recommended HI Pass Crossover.....	120Hz

### Motor

Voice Coil Diameter.....	1.5"
Voice Coil Former Material.....	Kapton
Winding Material.....	CCAW
Cone Material.....	Water Resistant Paper
Dust Cap Material.....	Water Resistant Paper
Surround Material.....	Coated Cloth
Basket Material.....	Steel
Magnet Material.....	Ferrite
Magnet Weight.....	33 Oz
Displacement Volume.....	0.0524L

### Thiele & Small Parameters

Equivalent Volume	Vas.....	10.147Ltr
Excursion (one way)	Xmax.....	6.7mm
Free Air Resonance	Fs .....	109.95Hz
Mechanical Factor	Qms .....	7.358
Electrical Factor	Qes.....	0.959
Total Factor	Qts.....	0.848
Mechanical Mass	Mms.....	13.254g
Mechanical Compliance	Cms.....	158.091mm/N
BL Factor	BL.....	4.370
Voice Coil Inductance	Le.....	0.425mH
Cone Area	Sd.....	212.6mm <sup>2</sup>
CD Resistance	Re.....	2 ohms
Mechanical Mass w/o air	Mmd.....	11.471g

### Measurements

Overall Diameter.....	9.25X6.56" / 235X167mm
Overall Depth.....	2.91" / 74mm
Front Mount Baffle Cutout.....	8.70X5.97" / 220X152mm
Mouting Depth.....	68mm/2.68"
Motor Diameter.....	120mm/4.72"



FOR MORE INFORMATION  
PLEASE VISIT  
[DS18.COM](http://DS18.COM)

*WE LIKE IT LOUD*

The DS18 logo, featuring the letters "DS18" in a bold, stylized, italicized font. A registered trademark symbol (®) is located to the upper right of the "8".

**DS18<sup>®</sup>**