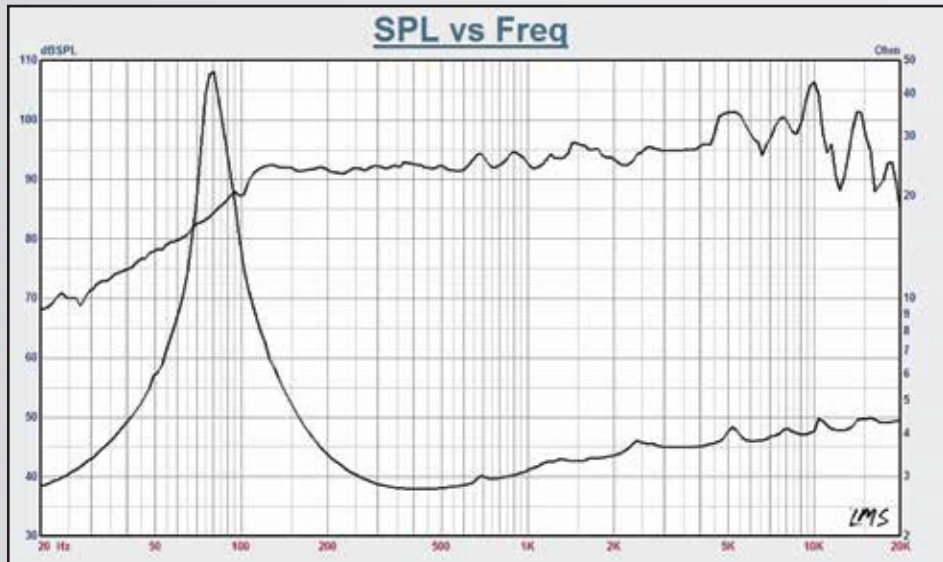




PRO-M6.2NEO

6.5" NEODYMIUM MIDRANGE
WITH WATER RESISTANT CONE

- Fiber Glass with Foam Composite Cone and Dust Cap with Heavy Duty Aluminum Basket
- EVA Gasket Ring
- Nominal Basket Diameter: 6.5"
- Magnet: Neodymium
- MAX Power: 400 Watts
- RMS Power: 200 Watts
- Voice Coil: 1.5" Kapton
- Sensitivity: 95dB
- Nominal Impedance: 2 ohms
- Frequency Response: 80Hz-16KHz
- Mounting Depth: 2.95"/75mm



PRO-M6.2NEO

6.5" NEODYMIUM MIDRANGE
WITH WATER RESISTANT CONE



200W MAX

400W RMS

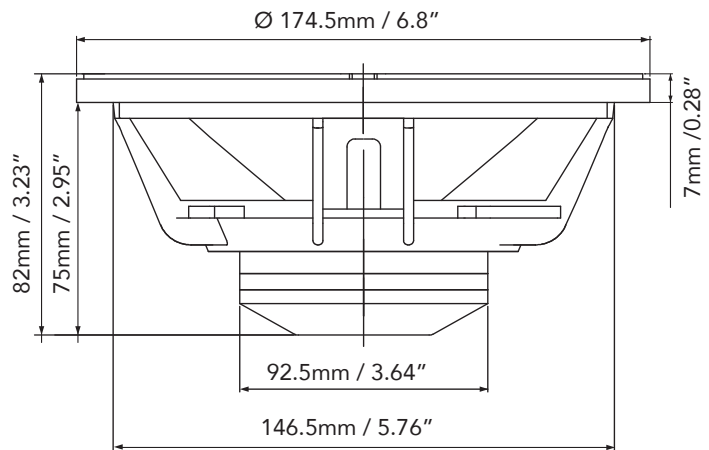
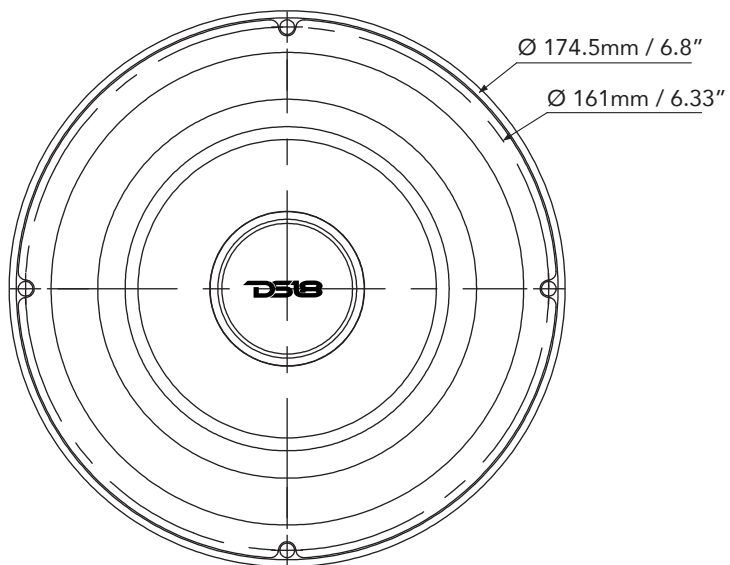
2 OHMS

OWNER'S MANUAL



PRO-M6.2NEO

6.5" NEODYMIUM MIDRANGE WITH WATER RESISTANT CONE



Data Sheet

Specifications:

Nominal Diameter	6.5"
Nominal Impedance	2 ohms
RMS Power Handling	200 WATTS
Maximum Power Handling	400 WATTS
Sensitivity (1w/1m)	95dB
Frequency Response	80Hz-16KHz
Recommended Hi Pass Crossover	160 Hz

Midrange:

Voice Coil Diameter	1.5"
Voice Coil Former Material	Kapton
Winding Material	CCAW
Basket Material	Aluminum
Magnet Material	Neodymium

Thiele & Small Parameters:

Equivalent Volume	Vas	13.090Ltr
Cone Area	Sd	14.314K
Free Air Resonance	Fs	82.441 Hz
Mechanical Factor	Qms	7.287
Electrical Factor	Qes	0.386
Total Factor	Qts	0.367

Measurements:

Overall Diameter	6.8" / 174.5mm
Front Mount Baffle Cutout	5.76" / 146.5mm
Mounting Depth	2.95" / 75mm
Overall Depth	3.23" / 82mm

PRO-M6.2NEO NEODYMIUM MIDRANGE WITH WATER RESISTANT CONE

DS18.COM

#WELIKEITLOUD    