

DS18[®]

PRO

PRO-DKH1
TITANIUM COMPRESSION DRIVER

Peak Power Handling: 640 Watts
Program Power Handling: 320 Watts
AES Rated Power: 160 Watts
Sensitivity (1w/1m): 115dB
Frequency Response: 500Hz-18.5KHz
Nominal Impedance: 8 ohm
Throat Diameter: 2"
Recommended Hi Pass Crossover: 800Hz
Voice Coil Diameter: 2.03"
Diaphragm Material: Titanium
Magnet Material: Ferrite
Magnet Weight: 35 oz
Bolt Type: Bolt-on



DS18[®]

PRO

2.03" VC
TITANIUM COMPRESSION
DRIVER WITH HORN

PRO-DKH1



640W
Peak Power

320W
Program Power

8 OHMS

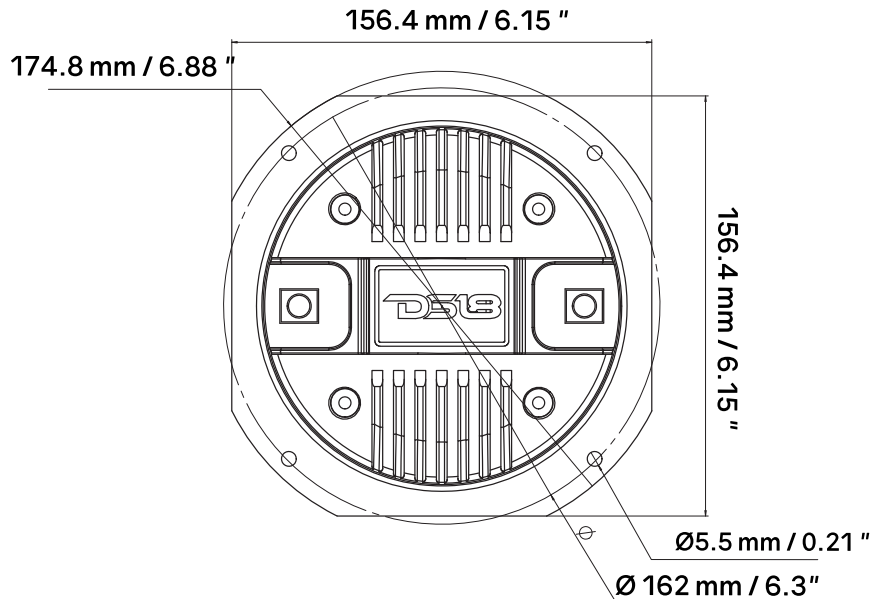
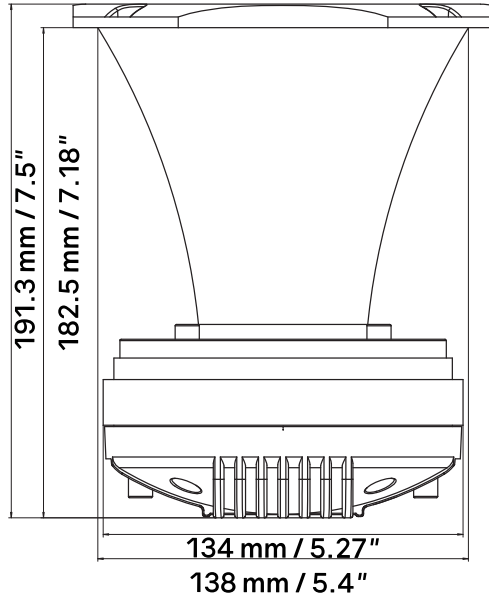
**OWNER'S
MANUAL**

PRO-DKH1

TITANIUM COMPRESSION DRIVER



Data Sheet



WWW.DS18.COM

PRO-DKH1 2.03" VOICE COIL TITANIUM COMPRESSION DRIVER WITH HORN

Specifications

Peak Power Handling	640 Watts
Program Power Handling	320 Watts
AES Rated Power	160 Watts
Sensitivity (1w/1m)	115dB
Frequency Response	500Hz-18.5KHz
Nominal Impedance	8 ohms
Throat Diameter	2"/50.8mm
Recommended Hi Pass Crossover	800 Hz
Voice Coil Diameter	2.03"/51mm
Diaphragm Material	Titanium
Magnet Material	Ferrite
Magnet Weight	35 oz
Bolt Type	Bolt-on

Measurements

Overall Diameter	6.88"/ 174.8 mm
Overall Depth	7.5"/ 191.3 mm

Shipping Info

Gross Single Unit Weight.....	3.8kg
Single Unit Box Dimensions W x L x H.....	180x177x210mm
Quantity of Units in Master Carton.....	4PCS/ctn
Gross Master Carton Weight	16.50KG
Master Carton Dimensions W x L x H.....	375x375x230cm

WeLikeItLoud

