



PRO-1D1F

PHENOLIC COMPRESSION DRIVER

- Throat Diameter: 2"
- RMS Power Handling: 150 Watts
- MAX Power Handling: 450 Watts
- Frequency Response: 500Hz-18KHz
- Voice Coil Diameter: 2.03"
- Diaphragm Material: PHENOLIC
- Nominal Impedance: 8 ohms
- Sensitivity (1W/1M): 110dB
- Magnet Weight: 35 oz
- Magnet Material: Ferrite
- Bolt Type: Bolt-on



PRO-1D1F

2.03" VC
PHENOLIC COMPRESSION DRIVER

450W MAX

150W RMS

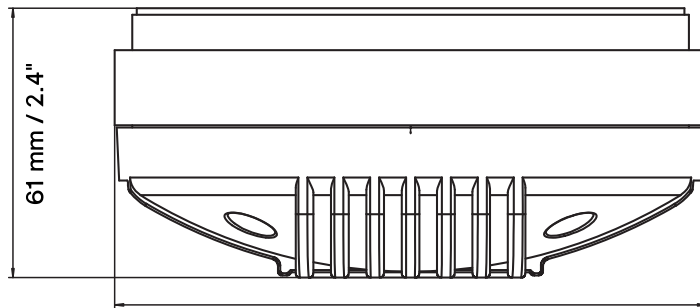
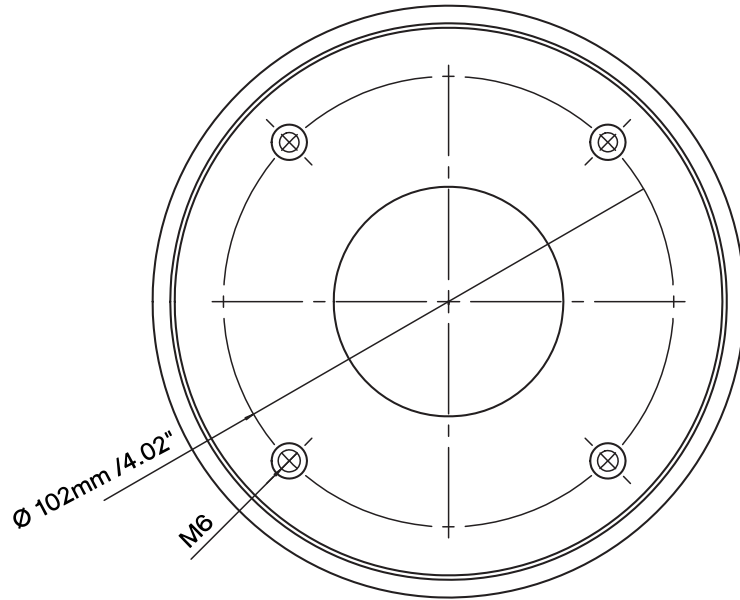
8 OHMS



OWNER'S MANUAL

PRO-D1F

PHENOLIC COMPRESSION DRIVER



Ø 134 mm / 5.27"

WWW.DS18.COM



Data Sheet

Specifications

Nominal Impedance	8 ohms
Throat Diameter	2"
RMS Power Handling	150 Watts
MAX Power Handling	450 Watts
Sensitivity (1w/1m)	110dB
Frequency Response	500Hz-18KHz
Recommended Hi Pass Crossover	800Hz
Voice Coil Diameter	2.03"
Diaphragm Material	PHENOLIC
Magnet Material	Ferrite
Magnet Weight	35 oz
Bolt Type	Bolt-on

Measurements

Overall Diameter	5.27" / 134 mm
Overall Depth	2.4" / 61 mm

Shipping Info

Gross Single Unit Weight	
Single Unit Box Dimensions W x L x H	
Quantity of Units in Master Carton	
Gross Master Carton Weight	
Master Carton Dimensions W x L x H	

PRO-D1F 2.03" VOICE COIL PHENOLIC COMPRESSION DRIVER

WeLikeItLoud

