



JMID

Durable Polyethylene (PE) Box
 Injection ABS Grill With Built-In RGB Around The Grill Inside
 Built-In RGB For DS18 Logo Badge
 8 Core 1.5m Input Wires For RGB And Stereo Speakers
 Size: D x W x H: 730mm / 350mm / 150mm
 28.74" / 13.77" / 5.9"

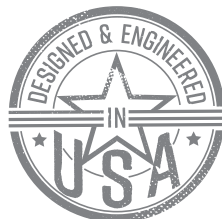
JMID IS DESIGNED FOR THE JEEP JK, JKU, JL & ANY OTHER
 UNIVERSAL APPLICATION.
 THIS JMID HOUSES: 2 - 10" MIDRANGE SPEAKERS,
 AND 2 BULLET TWEETERS.

- ▶ MOUNTS 2 - 10" MIDRANGE SPEAKERS (DS18 PRO-X10M 10")
MOUNTING HOLE DIAMETER: 234mm (9.21")
- ▶ MOUNTS 2 - 3" TWEETERS (DS18 PRO-TW220 3.18")
MOUNTING HOLE DIAMETER: 71mm (2.79")
- ▶ 95mm (3.74") MAX SPEAKER DEPTH
- ▶ MIDRANGE SPEAKERS AND TWEETERS NOT INCLUDED



#WeLikeItLoud

DS18.COM



JMID

MIDRANGE AND TWEETER BOX

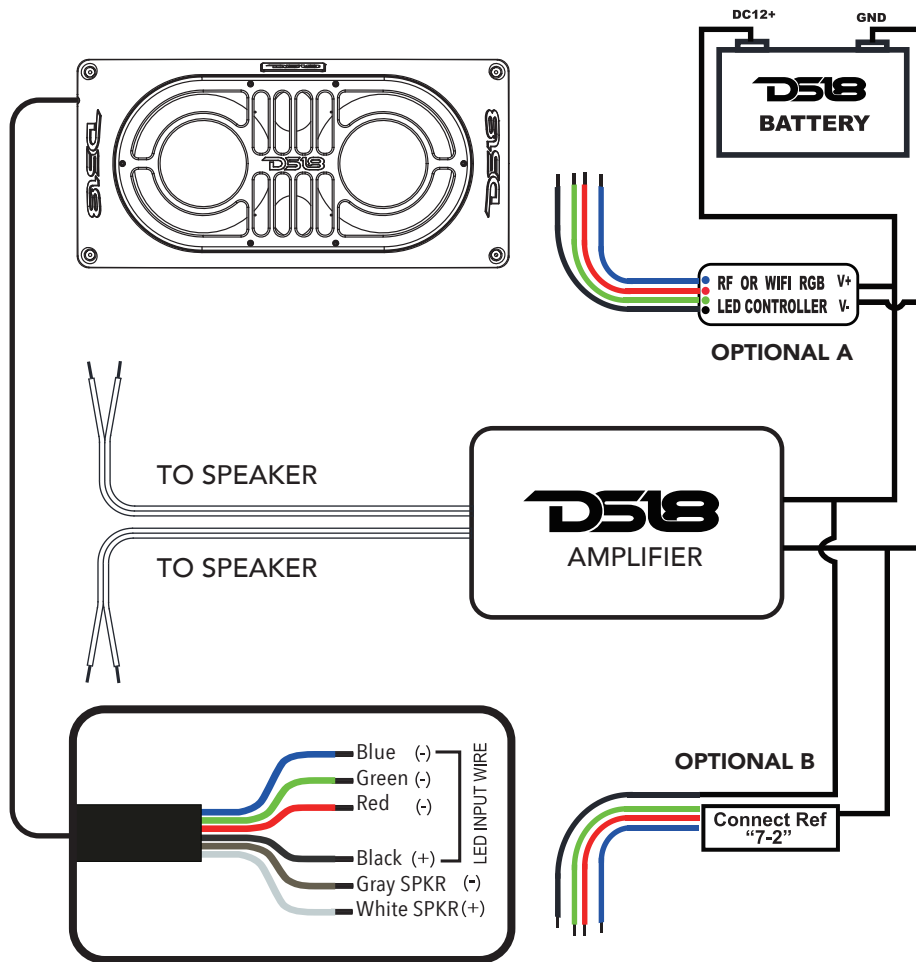
OWNER'S MANUAL



#WeLikeItLoud

JMID

DS18



- Black Wire "BK" Connected to Battery Positive (+12v)
- Blue Color Light "B" Connected to Battery Negative (-)
- Green Color Light "G" Connected to Battery Negative (-)
- Red Color Light "R" Connected to Battery Negative (-)
- Purple Color Light "R" and "B" Connected to Battery Negative (-)
- Yellow Color Light "R" and "G" Connected to Battery Negative (-)
- Cyan Color Light "B" and "G" Connected to Battery Negative (-)
- White Color Light "R"; "B" and "G" Connected to Battery Negative (-)

