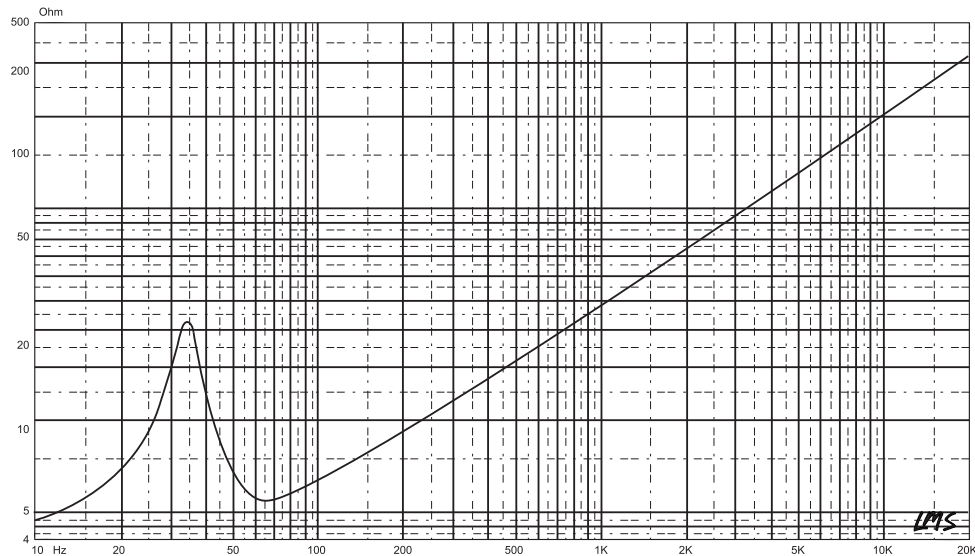




# IXS12.4S 12" SHALLOW SUBWOOFER

Nominal Impedance: 4 ohm  
MAX Power Handling: 1600 watts  
RMS Power Handling: 800 watts  
Sensitivity (1w/1m): 85.2 dB  
Frequency Response 20 - 600KHz  
Voice Coil Diameter: 2.5" / 63.5 mm  
Voice Coil Former Material: Aluminum  
Winding Material: Copper  
Basket Material: Aluminum  
Magnet Weight: 62 Oz

### Impedance vs Freq



#WELIKEITLOUD

DS18.COM



OWNER'S MANUAL

# IXS12.4S 12" SHALLOW SUBWOOFER

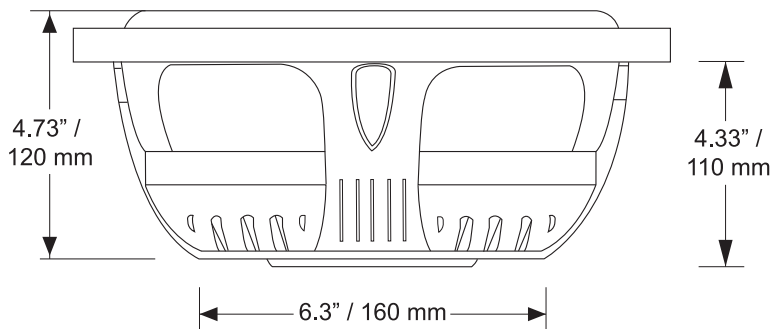
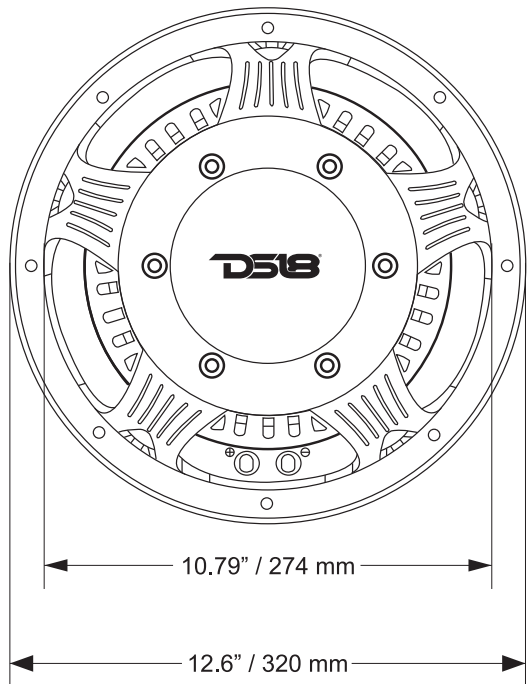


4 OHM

1600W MAX  
800W RMS  
2.5" VC



# IXS12.4S



IXS12.4S 12" SHALLOW SUBWOOFER

### SPECIFICATIONS

Nominal Diameter .....	12"
Nominal Impedance .....	4 OHMS
MAX Power Handling .....	1600W
RMS Power Handling .....	800W
Sensitivity (1w/1m) .....	85.2 dB
Frequency Response .....	20 - 600KHz
Recommended Lo Pass Crossover.....	80 Hz

### MOTOR

Voice Coil Diameter.....	2.5"
Voice Coil Former Material .....	Aluminum
Winding Material .....	Copper
Cone Material .....	Paper
Dust Cap Material.....	Fiberglass
Surround Material.....	Stitched Rubber
Basket Material .....	Aluminum
Magnet Material.....	Ferrite
Magnet Weight .....	62 Oz
Displacement Volume .....	0.93L

### THIELE & SMALL PARAMETERS

Equivalent Volume .....	Vas .....	40.474L
Excursion (one way).....	Xmax .....	10.3 mm
Free Air Resonance .....	Fs .....	35 Hz
Mechanical Factor .....	Qms .....	4.563
Electrical Factor.....	Qes.....	0.809
Total Factor .....	Qts.....	0.687
Dc Resistance .....	Re.....	3.6 OHMS
Force Factor .....	Bl .....	13.38
Moving Mass .....	Mms .....	182.6
Compliance .....	Cms.....	112.7 mm/N
Voice Coil Inductance .....	Le .....	4.34 MH
Diaphragm Area .....	Sd.....	502 cm2
Efficiency Bandwidth Product.....	EBP.....	43.3

### MEASUREMENT

Overall Diameter .....	12.6" / 320 mm
Overall Depth .....	4.73" / 120 mm
Front Mount Baffle Cutout .....	10.79" / 274 mm
Mounting Depth .....	4.33" / 110 mm
Motor Diameter.....	6.14" / 156 mm