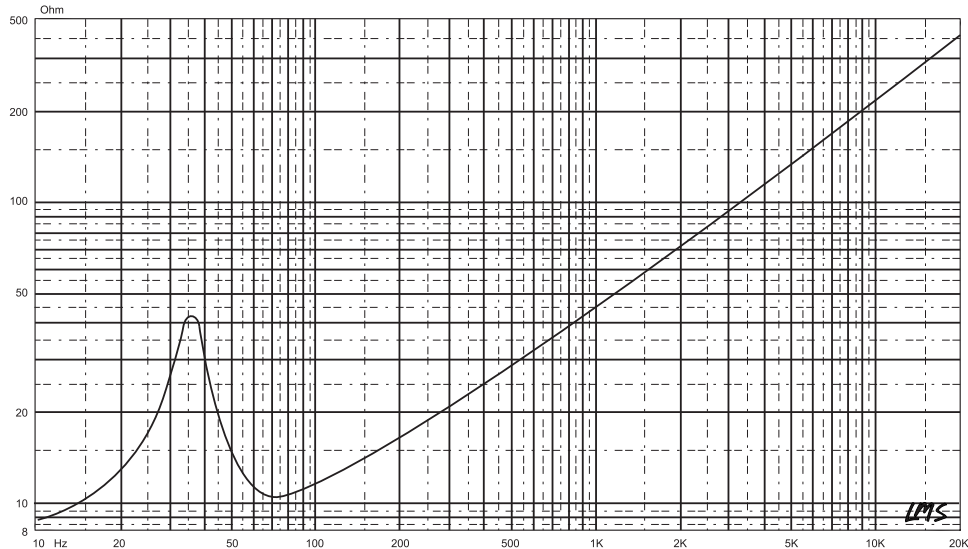




# IXS12.4D 12" SHALLOW SUBWOOFER

- Nominal Impedance: 4+4 ohm
- MAX Power Handling: 1600 watts
- RMS Power Handling: 800 watts
- Sensitivity (1w/1m): 85.1 dB
- Frequency Response 20 - 600 KHz
- Voice Coil Diameter: 2.5" / 63.5 mm
- Voice Coil Former Material: Aluminum
- Winding Material: Copper
- Basket Material: Aluminum
- Magnet Weight: 62 Oz

**Impedance vs Freq**



## #WELIKEITLOUD

[DS18.COM](http://DS18.COM)







**OWNER'S MANUAL**

# IXS12.4D 12" SHALLOW SUBWOOFER

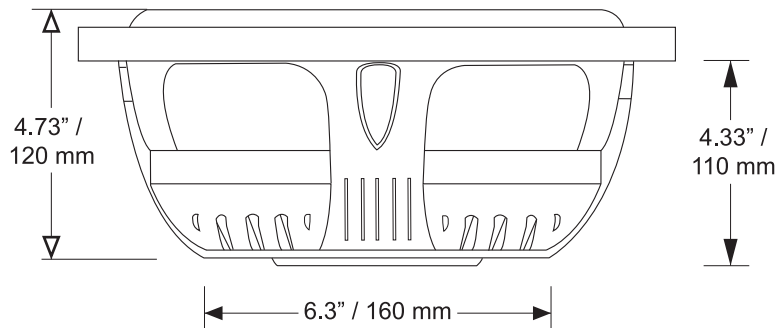
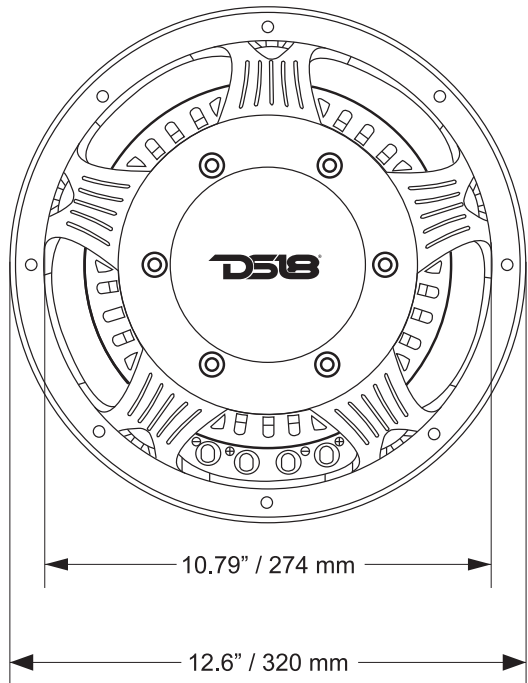


### 4 DUAL 4 OHM

**1600W MAX**  
**800W RMS**  
**2.5" VC**



# IXS12.4D



### SPECIFICATIONS

Nominal Diameter ..... 12"  
 Nominal Impedance .....4+4 OHMS  
 MAX Power Handling ..... 1600W  
 RMS Power Handling ..... 800W  
 Sensitivity (1w/1m) ..... 85.1 dB  
 Frequency Response .....20 - 600KHz  
 Recommended Lo Pass Crossover..... 80 Hz

### MOTOR

Voice Coil Diameter..... 2.5"  
 Voice Coil Former Material .....Aluminum  
 Winding Material .....Copper  
 Cone Material ..... Paper  
 Dust Cap Material..... Fiberglass  
 Surround Material.....Stitched Rubber  
 Basket Material .....Aluminum  
 Magnet Material..... Ferrite  
 Magnet Weight ..... 62 Oz  
 Displacement Volume .....0.93L

### THIELE & SMALL PARAMETERS

Equivalent Volume ..... Vas..... 37.345  
 Excursion (one way)..... Xmax..... 10.3 mm  
 Free Air Resonance ..... Fs .....35 Hz  
 Mechanical Factor ..... Qms ..... 4.034  
 Electrical Factor..... Qes..... 0.861  
 Total Factor ..... Qts..... 0.71  
 Dc Resistance ..... Re..... 7.2 OHMS  
 Force Factor ..... Bl ..... 18.75  
 Moving Mass ..... Mms ..... 184.02  
 Compliance ..... Cms.....104 mm/N  
 Voice Coil Inductance ..... Le .....7.07 MH  
 Diaphragm Area ..... Sd..... 502.73 cm<sup>2</sup>  
 Efficiency Bandwidth Product..... EBP ..... 42.24

### MEASUREMENT

Overall Diameter ..... 12.6\"/>

IXS12.4D 12" SHALLOW SUBWOOFER