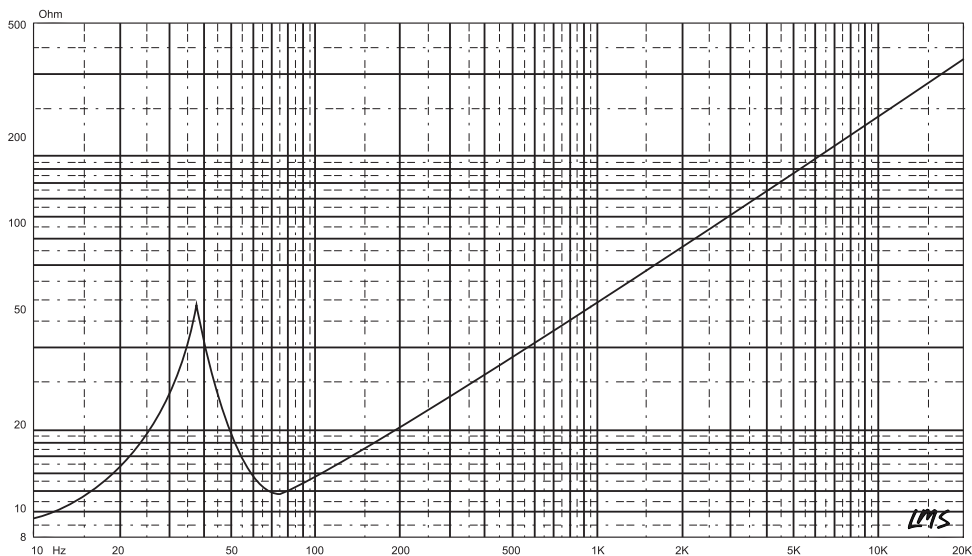




# IXS10.4S 10" SHALLOW SUBWOOFER

- Nominal Impedance: 4 ohm
- MAX Power Handling: 1000 watts
- RMS Power Handling: 500 watts
- Sensitivity (1w/1m): 83.8 dB
- Frequency Response 20 - 800 KHz
- Voice Coil Diameter: 2.5" / 63.5 mm
- Voice Coil Former Material: Aluminum
- Winding Material: Copper
- Basket Material: Aluminum
- Magnet Weight: 62 Oz

**Impedance vs Freq**



## #WELIKEITLOUD

DS18.COM



**OWNER'S MANUAL**

# IXS10.4S 10" SHALLOW SUBWOOFER

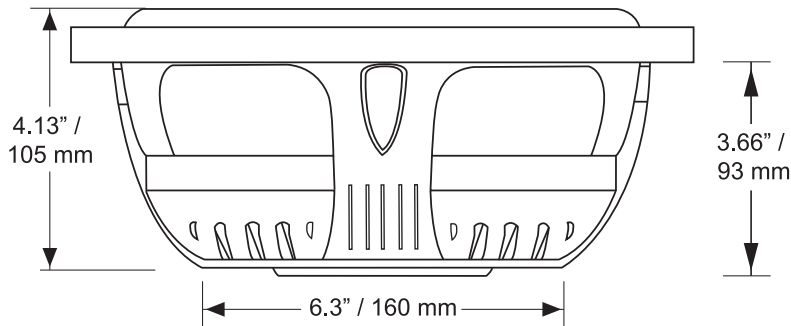
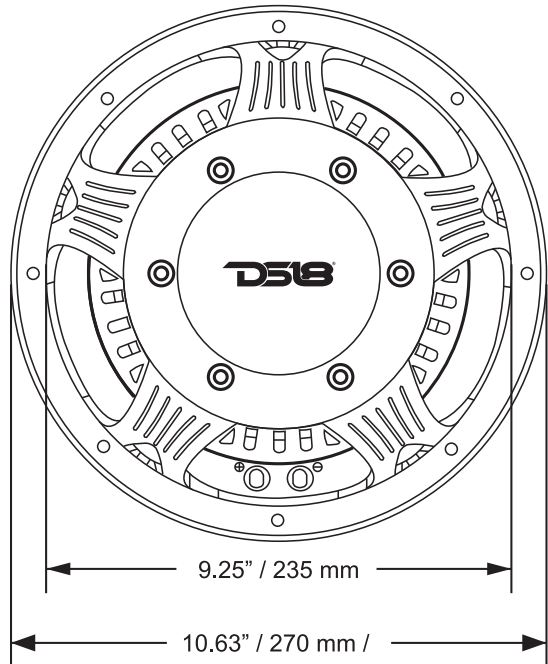


## 4 OHM

**1000W MAX  
500W RMS  
2.5" VC**



# IXS10.4S



IXS10.4S 10" SHALLOW SUBWOOFER

### SPECIFICATIONS

Nominal Diameter .....	10"
Nominal Impedance .....	4 OHMS
MAX Power Handling .....	1000W
RMS Power Handling .....	500W
Sensitivity (1w/1m) .....	83.8 dB
Frequency Response .....	20 - 800KHz
Recommended Lo Pass Crossover.....	90 Hz

### MOTOR

Voice Coil Diameter.....	2.5"
Voice Coil Former Material .....	Aluminum
Winding Material .....	Copper
Cone Material .....	Paper
Dust Cap Material.....	Fiberglass
Surround Material.....	Stitched Rubber
Basket Material .....	Aluminum
Magnet Material.....	Ferrite
Magnet Weight .....	62 Oz
Displacement Volume .....	0.9L

### THIELE & SMALL PARAMETERS

Equivalent Volume .....	Vas .....	20L
Excursion (one way).....	Xmax .....	11 mm
Free Air Resonance .....	Fs .....	38 Hz
Mechanical Factor.....	Qms .....	4.661
Electrical Factor.....	Qes.....	0.691
Total Factor .....	Qts.....	0.602
Dc Resistance .....	Re.....	3.6 OHMS
Force Factor .....	Bl .....	13.4
Moving Mass .....	Mms .....	145.6
Compliance .....	Cms.....	121.4 mm/N
Voice Coil Inductance .....	Le .....	4.58 MH
Diaphragm Area .....	Sd .....	341.1 cm <sup>2</sup>
Efficiency Bandwidth Product.....	EBP .....	54.76

### MEASUREMENT

Overall Diameter .....	10.63" / 270 mm
Overall Depth .....	4.13" / 105 mm
Front Mount Baffle Cutout .....	9.25" / 235 mm
Mounting Depth .....	3.66" / 93 mm
Motor Diameter.....	6.14" / 156 mm