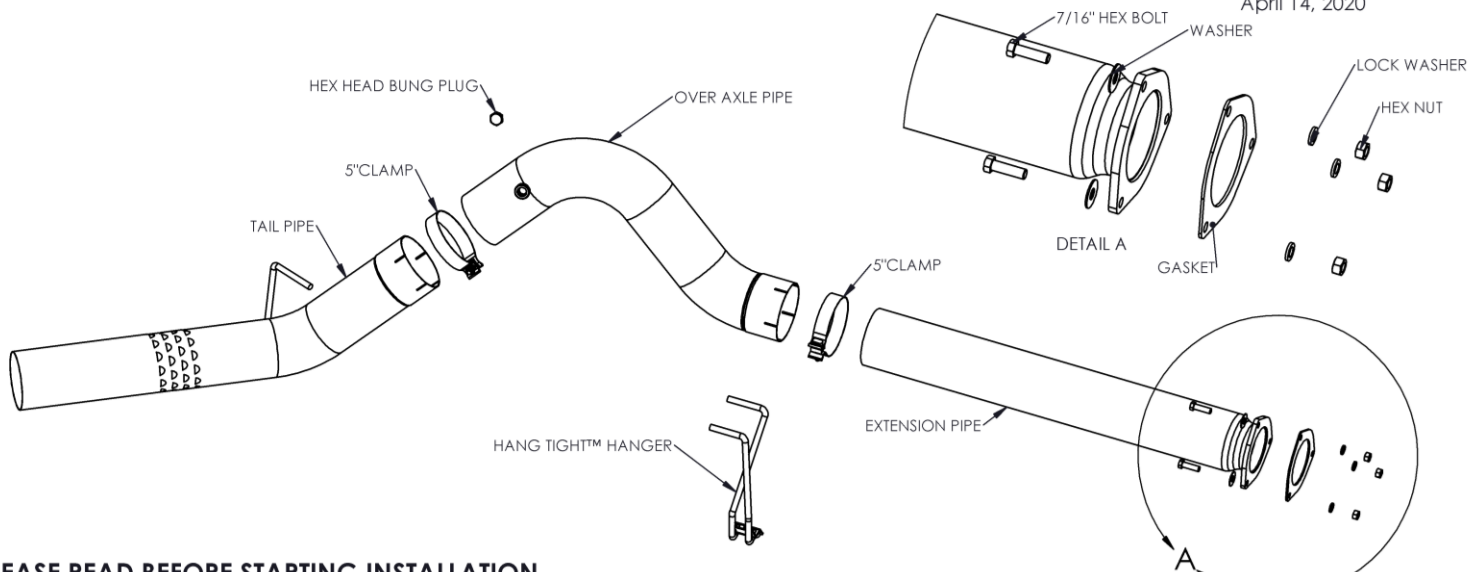


S62530PLM

2011-2016 FORD F250/F350/F450, 6.7L POWERSTROKE,
CREW CAB & SUPERCAB, 5" DPF-BACK, SINGLE SIDE

MBRP

April 14, 2020



PLEASE READ BEFORE STARTING INSTALLATION

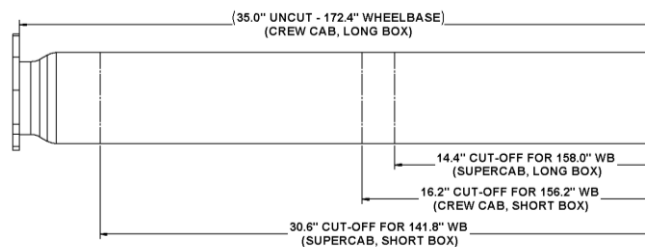
MBRP has made every effort to ensure that all components of this system are of superior quality and properly packaged. It is the installer's responsibility to ensure that all components are present and fit together as shown. Please also ensure that all components are undamaged before removal of the factory exhaust. Finally, check that this system properly matches the make and model of the vehicle and will not interfere with previous or planned modifications.

Removal of Stock System

1. Apply some penetrating lubricant to all exhaust fasteners, hangers, and rubber insulators.
2. Loosen the three (3) nuts securing the extension pipe flange to tail pipe.
3. Remove the temperature sensor from the tail pipe. Remove the factory tail pipe.
4. Loosen the three (3) nuts securing the extension pipe to the flange directly behind the exhaust filter and remove the extension pipe.

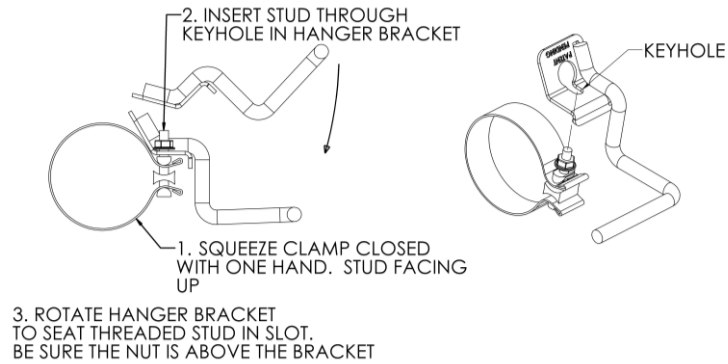
Installation of MBRP Performance Exhaust

1. The **Extension Pipe** is pre-cut for the 172.4" (crew-cab long-box) wheelbase. Cut the **Extension Pipe** to the appropriate length for the installation vehicle. **Refer to Figure below.**



2. Mate the **Extension Pipe** flange to the stock exhaust flange with the **Gasket** between them and fasten the flanges together with the hardware provided.

- Slide a **5" Band Clamp** onto the **Over-Axle Pipe**. Install the **Hang Tight™ Hanger** onto the **5" Band Clamp** as shown in the figure, below. Loosely install the assembly to the **Extension Pipe** and place the **Hang Tight™ Hanger** into the existing rubber insulator. (Hanger bracket may not be as shown).



- Use the **5" Clamp** to install the **Tail Pipe**, inserting the hanger into the rearward factory rubber isolator.
- Attach temperature sensor to the bung on **Over Axle Pipe**.
- Ensure that there is adequate clearance around the spare tire, lines, wires, body panels and suspension. Tighten all connections.

Congratulations! You are ready to begin experiencing the improved power, sound, and driving experience of your **MBRP** performance exhaust system. We know you will enjoy your purchase.