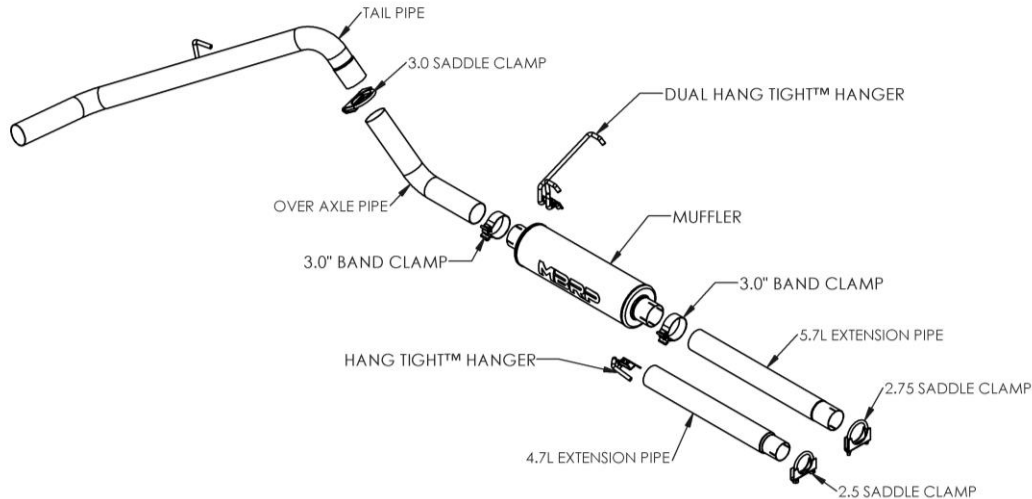


S5104P

2004-2005 DODGE RAM 1500, 5.7L/4.7L HEMI,
REGULAR CAB & QUAD CAB (SHORT BOX), CAT BACK, 3", SINGLE SIDE

MBRP

27-Apr-21



PLEASE READ BEFORE STARTING INSTALLATION

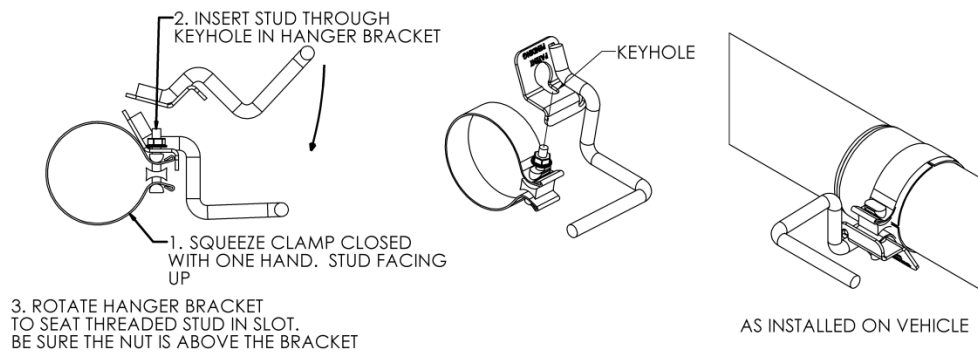
MBRP Ltd. has made every effort to ensure that all components of this system are of superior quality and properly packaged. It is the installer's responsibility to ensure that all components are present and fit together as shown. Please also ensure that all components are undamaged before removal of the factory exhaust. Finally, check that this system properly matches the make and model of the vehicle and will not interfere with previous or planned modifications.

Removal of stock system:

1. Apply a penetrating lubricant liberally to all exhaust fasteners, hangers and rubber insulators.
2. Remove the clamp located behind the muffler. Remove the tail pipe hanger from the rubber insulator and separate the tail pipe from the muffler at the slip joint. Remove the tail pipe from the vehicle.
3. Remove the clamp in front of the muffler and separate the muffler at the slip joint.
4. Remove the hangers from the rubber insulators and remove the muffler assembly from the vehicle.

Installation of MBRP Performance Exhaust:

1. Install the Hang Tight™ Hangers onto 3.0" Band Clamps using the procedure shown below. (Hang Tight™ Hangers not exactly as shown).



2. **For Regular Cab Models**, temporarily install the **Muffler** by placing both **Hang Tight™ Hangers** (single on the front, dual on the rear) into the factory rubber insulators. Now measure from the front of the **Muffler** to the "Y" pipe. This will give you the required length to cut the **Extension Pipe**. Remove the **muffler** and cut the **Extension Pipe**. **For Crew Cab Models**, skip this step and proceed to **Step 3**.
3. Determine which extension pipe you require for your truck, the **4.7L Extension Pipe** will have a smaller inlet diameter than the **5.7L Extension Pipe**. The 4.7L will require a **2.5" clamp** and the 5.7L requires a **2.75" Clamp**.

4. Install the reduced end of the **Extension Pipe** over the factory exhaust system behind the “Y” pipe and install **Muffler** onto **Extension Pipe** with the **Hang Tight™ Hanger** installed onto the **3.0” Band Clamp** and install into the factory rubber insulator.
5. Install the **Dual Hang Tight™ Hanger** clamp assembly onto the rear of the **Muffler** and into the factory rubber insulators.
5. Insert the **Over Axle Pipe** into the **Muffler** and secure loosely with the **Dual Hang Tight™ Hanger** clamp.
6. Feed the **Tail Pipe** over the axle and loosely install it into the **Over Axle Pipe** with a **3” Clamp**.
7. Install the tailpipe hanger through the factory rubber insulator.
8. Align the exhaust as required before tightening **Clamps**.
10. Align the edge of band clamp with the edge of the joint it is connecting. Tighten all hardware and clamps, starting at the front and working rearward to secure the system. Check along the full length of the exhaust system to ensure there is adequate clearance for fuel lines, vent lines, brake lines, frame, bodywork, suspension, and any wiring, etc. If there is any interference detected, relocate, or adjust to provide adequate clearance. Ensure all clamp connections are secure and components are unable to rotate or slide. Band clamps require approximately 45 lb-ft (60 N-m) of torque. Verify clearances, system security and band clamp torque after 30-60 miles (50-100 km) of driving.

Congratulations! You are ready to begin enjoying the improved performance and driving experience of your **MBRP** Ltd. Performance Exhaust system. We hope you enjoy your purchase.