

# INSTALLATION INSTRUCTIONS-5.5' & 6.5 BEDSLIDE® APPLICATIONS

# BEDSLIDE®

# DECKED



Heavy!  
Team Lift!

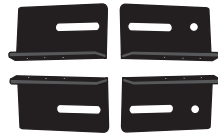


Caution

## KIT CONTENTS:

**A**

### MOUNTING BRACKETS



**B**

### HARDWARE KIT

- (5) 5/16-18 x 2 1/4" HEX HEAD CAP BOLTS
- (5) 5/16-18 NYLOCK NUTS
- (14) 5/16 FLAT WASHERS
- (14) 5/16 SILICONE WASHERS
- (8) 5/16 SERRATED FLANGE NUTS



**NOTE:** Mounting a BEDSLIDE® to a DECKED® system will require removal of the deck panels if the system has already been installed in the vehicle. For vehicle specific instructions please visit [www.decked.com](http://www.decked.com)

## TOOLS REQUIRED



HAMMER



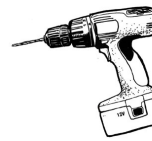
1/2" WRENCH



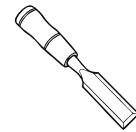
1/4" DRILL BIT



5/16" DRILL BIT



CORDLESS DRILL



CHISEL

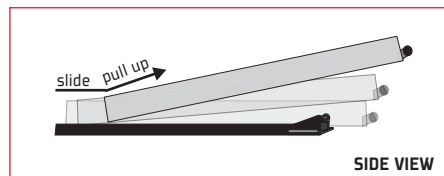
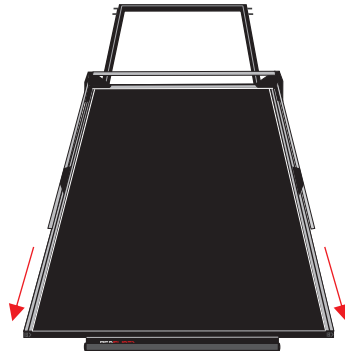


STRAIGHT EDGE

**NOTE: READ INSTRUCTIONS COMPLETELY BEFORE ATTEMPTING INSTALLATION.**

## SEPARATE SLIDING TOP FRAME FROM THE BASE

Fully extend the BEDSLIDE® and remove the top frame by lifting up and out. The welded safety stops must go up and over the rear roller bearings and spacer guides in order for the top frame to release. **This step will require 2 people to help lift!**



1

## ATTACH MOUNTING BRACKETS

With the top deck removed and the base frame exposed, attach cab side and mid gate mounting brackets to the threaded studs on each side of the frame using [2] 5/16 serrated flange nuts per bracket. Tighten the flange nuts using a 1/2" wrench. **NOTE: The brackets are directional so they must be secured to the frame as shown below so the slots in each bracket are positioned in the correct orientation.**

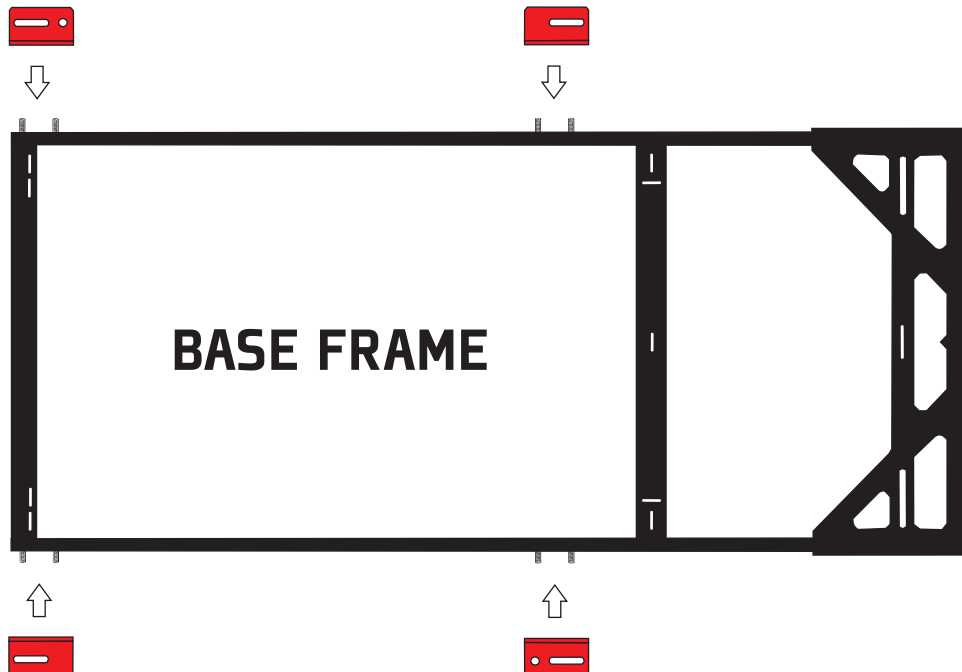


x8

5/16-18 SERRATED  
FLANGE NUT



1/2" WRENCH



2

2/10

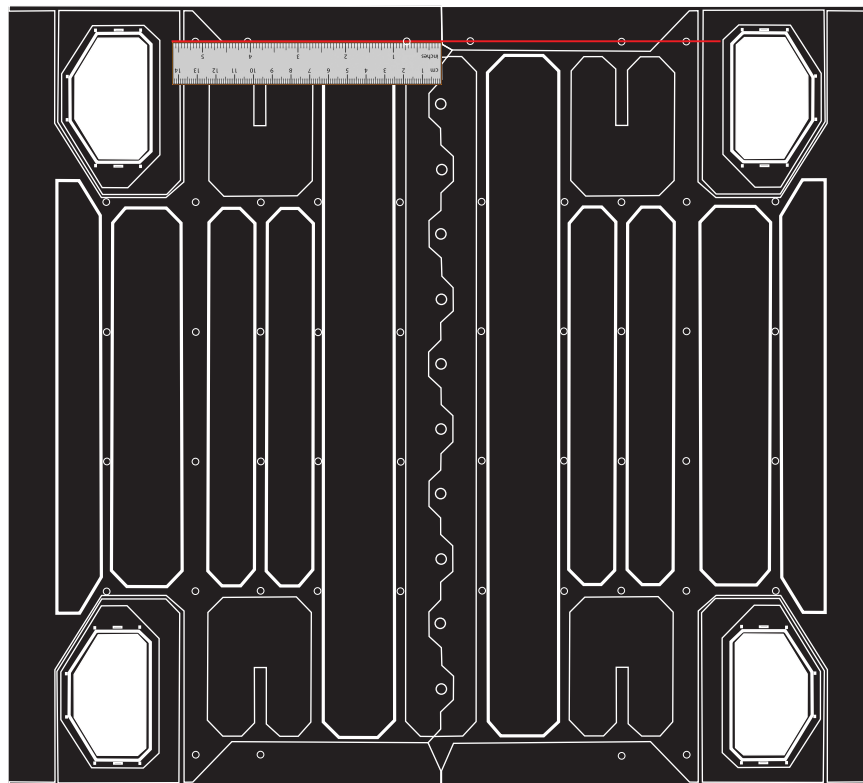
## LOCATE STEEL SUPPORT TUBES

Locate steel tube on deck panel that is closest to the cab. **NOTE: Dimples in the panels indicate location of steel tubes.** Using a straight edge or level, mark a center line on the dimples found on the panel.

## CAB SIDE

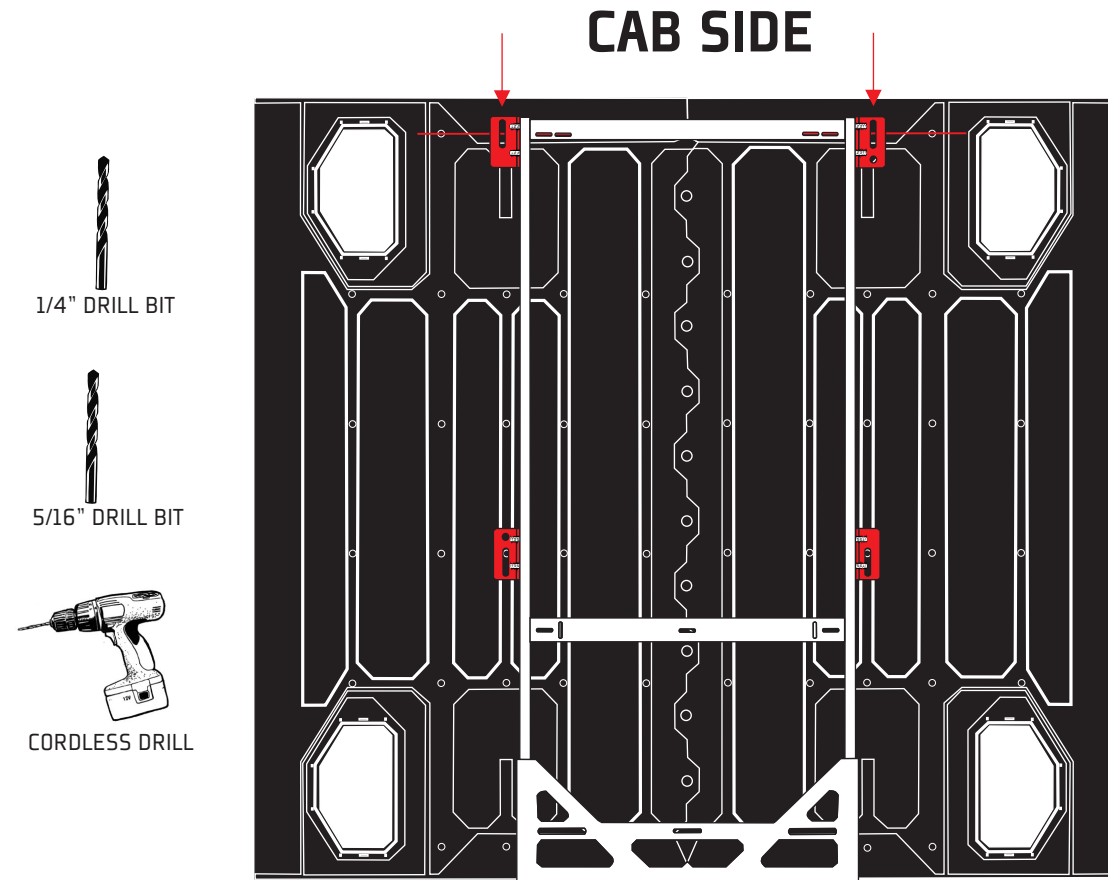


STRAIGHT EDGE



## DRILL CAB SIDE MOUNTING HOLES

Center the holes on the cab side mounting brackets and the holes on the base frame cross member to the center line marked in the previous step. With all the holes centered, drill pilot holes directly through the center of your marked line at each cab side mounting bracket using a 1/4" bit. Once pilot holes have been drilled make certain the holes are centered to the steel support tube of the DECKED® system. Finish drilling out the holes with a 5/16" bit.

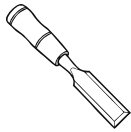


## REMOVE HDPE PLASTIC

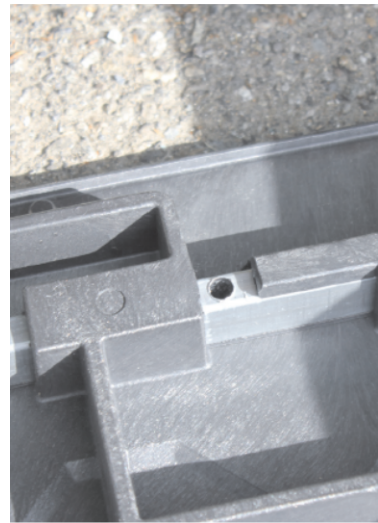
If necessary, remove HDPE plastic from around pilot holes with a hammer and chisel. Removing this plastic will allow the fastening hardware to rest flush against the steel supports.



HAMMER

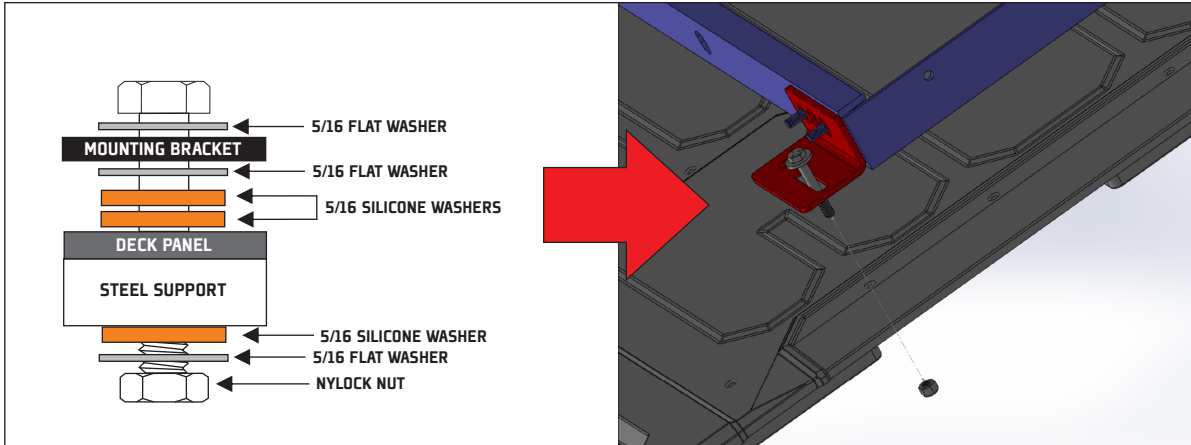


CHISEL

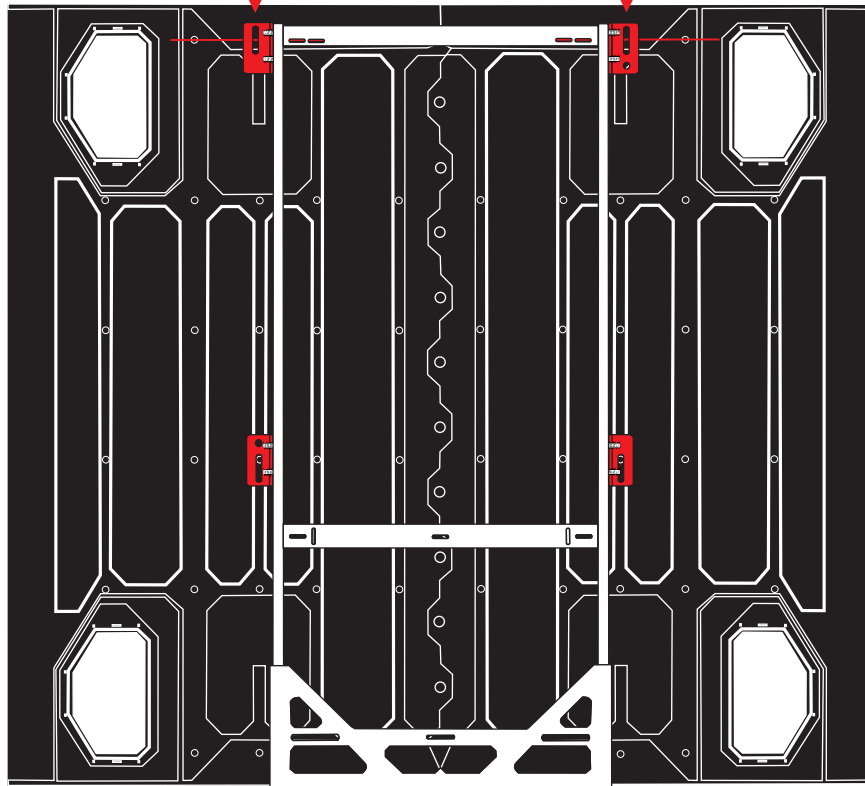


## LOOSELY SECURE THE CAB SIDE BRACKETS

Mount the cab side brackets to the deck using a 5/16-18 x 2 1/4" hex head bolt, 5/16 flat washers, silicone washers and lock nut as illustrated below. **Note: Do not tighten!**

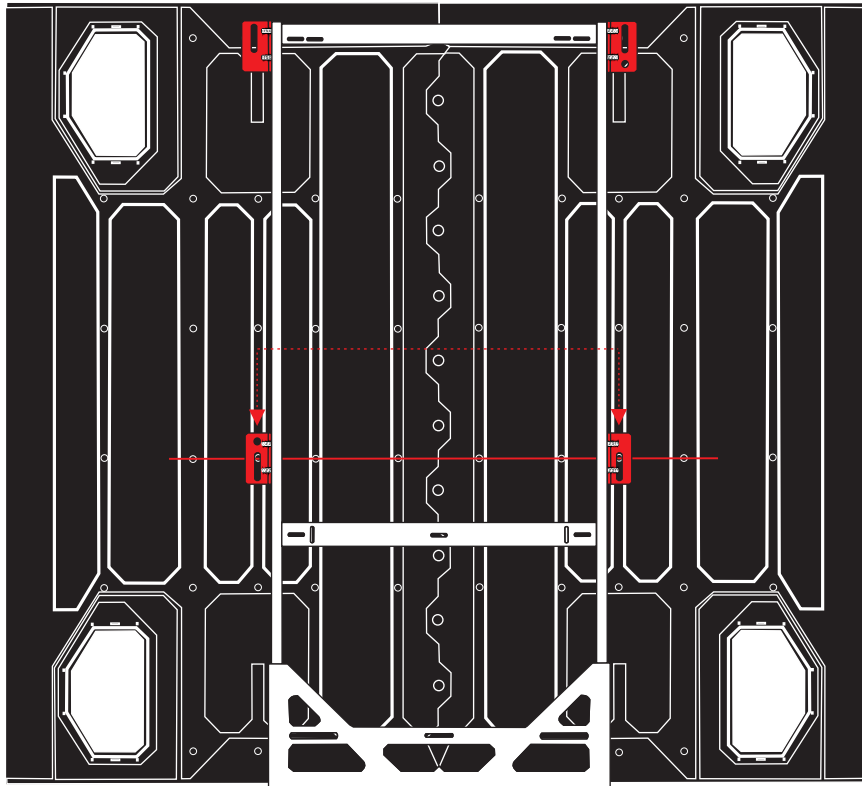


**CAB SIDE**



## MARK & DRILL MID GATE MOUNTING HOLES

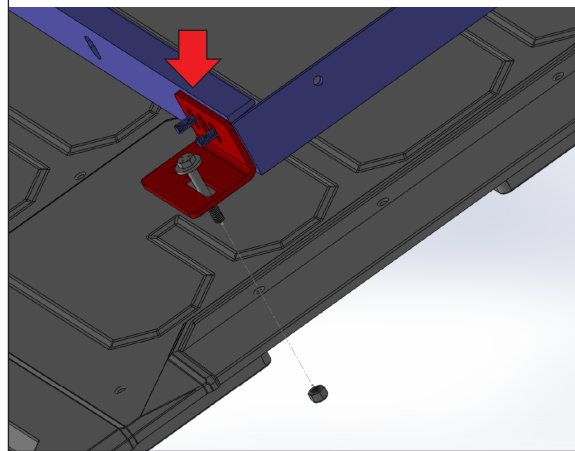
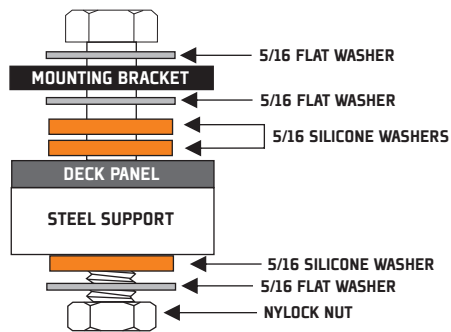
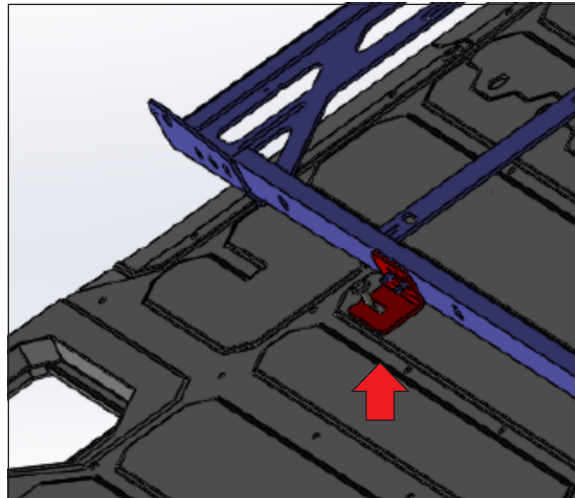
Locate steel tube on deck panel located near the mid gate mounting brackets. **NOTE: Dimples in the panels indicate location of steel tubes.** Using a straight edge or level, mark a center line on the dimples found on the panel. Center the holes on the mid gate brackets to the marked center line. With all the holes centered, drill pilot holes directly through the center of your marked line at each mid gate bracket using a 1/4" bit. Once pilot holes have been drilled make certain the holes are centered to the steel support tube of the DECKED® system. Finish drilling out the holes with a 5/16" bit. **If necessary, remove HDPE plastic from around pilot holes with a hammer and chisel as shown on page 5.**



## FASTEN BEDSLIDE® TO THE DECKED® SYSTEM

Secure the mid gate brackets using a 5/16-18 x 1 1/4" hex head bolt, 5/16 flat washers, silicone washers and nyloc nut as illustrated below. Tighten all mounting hardware using a 1/2" wrench.

### MID GATE



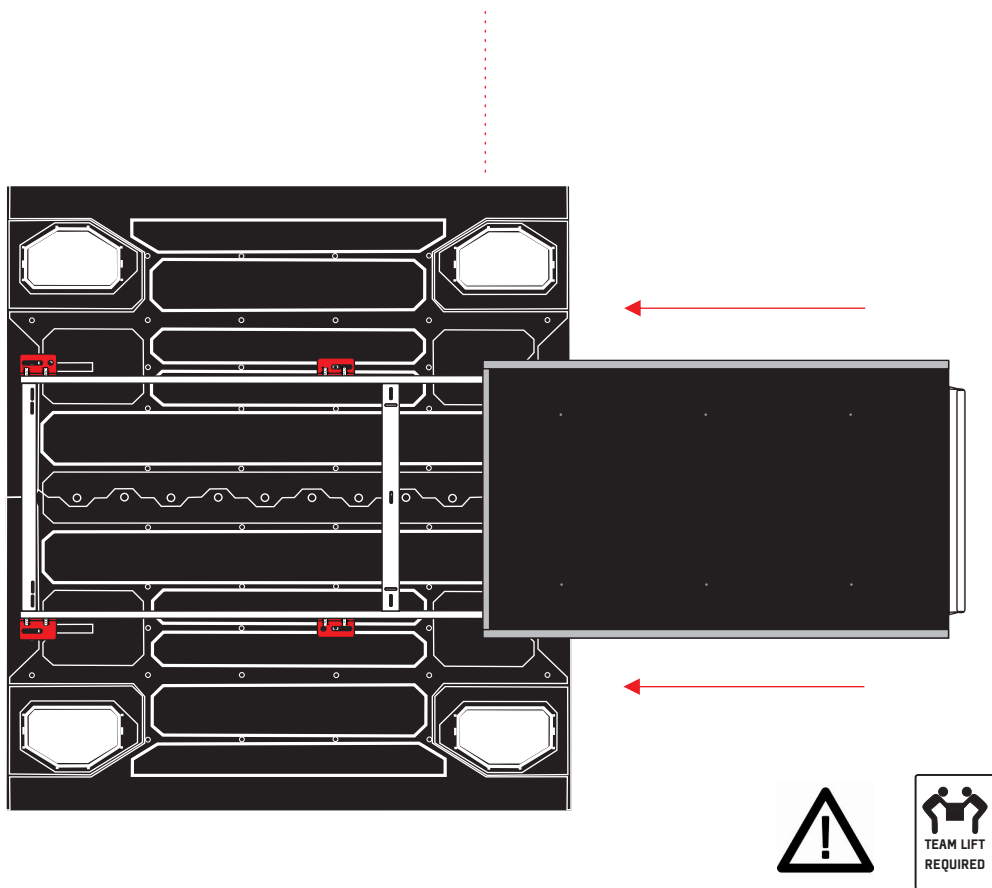
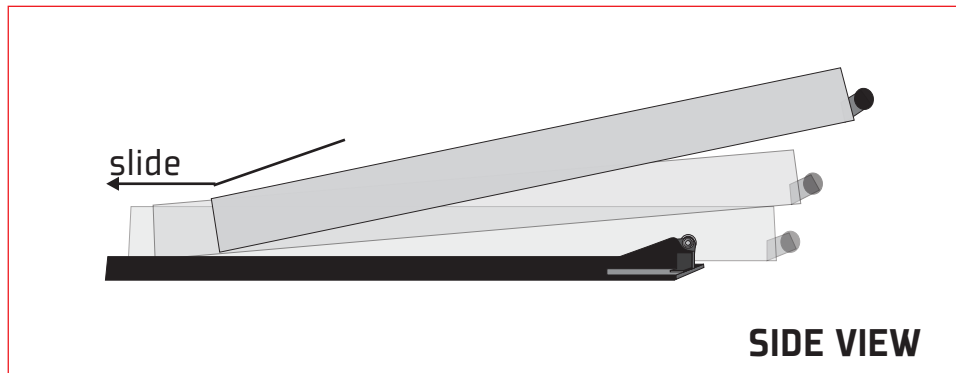
### CAB SIDE



## RE-INSTALL TOP FRAME

Re-install the BEDSLIDE® top frame into the base by placing top frame over the rear bearings and sliding the frame forward to the stowed position.

That's it! Your BEDSLIDE® install is complete!





**WARNING:** adding a BEDSLIDE® or making any modifications to the DECKED® system may put your or others at risk of bodily harm. Although this installation technique is valid, we do not guarantee that any slide or installation techniques will work in all applications. Installation procedures will vary and these instructions are intended for the 5.5' and 6.5' applications only! Installing slides on or making any modifications to the DECKED® system is entirely at the risk of the installer. We do not recommend using a slide with a weight capacity greater than 1,000 lbs. Modifying a DECKED® system may void the applicable warranty.